



Technische Fakultät
Albert-Ludwigs-Universität, Freiburg
Lehrstuhl für Kommunikationssysteme

Master thesis

Mobile Assisted GPS Localization in GSM Networks

September 13, 2012

Matrikel-Nr.: 2818102
Refik Hadžialić

Supervised by
M.Sc. Konrad Meier
M.Sc. Dennis Wehrle
First Examiner
Prof. Dr. Gerhard Schneider
Second Examiner
Prof. Dr. Christian Schindelhauer

Erklärung

Hiermit erkläre ich, dass ich diese Abschlussarbeit selbständig verfasst habe, keine anderen als die angegebenen Quellen/Hilfsmittel verwendet habe und alle Stellen, die wörtlich oder sinngemäß aus veröffentlichten Schriften entnommen wurden, als solche kenntlich gemacht habe. Darüber hinaus erkläre ich, dass diese Abschlussarbeit nicht, auch nicht auszugsweise, bereits für eine andere Prüfung angefertigt wurde.

Ort, Datum
(Place, Date)

Unterschrift
(Signature)

Acknowledgment

I would like to thank my supervisors Konrad Meier and Dennis Wehrle for their help and encouragement during the thesis. Besides the help from my supervisors I would like to thank my family and friends who supported me through my master's degree, and the entire Communication Systems department for their support, free coffee and to Prof. Dr. Gerhard Schneider for making all the required hardware available. I would like to thank Prof. Dr. Christian Schindelbauer for writing the recommendation letter so that the DAAD could extend my scholarship and stay in Freiburg. I would like to thank my friend Mirza Hamza from the Telecommunications department on the faculty of Electrical Engineering in Sarajevo for proofreading the AGPS chapter. I would like to thank Sebastian Schmelzer for his LaTeX tips, Michael Pereira Neves and Jonathan Bauer for lending me their cell phones to test my localization system as well as Johan Latocha for patiently explaining words I did not understand in the German language and for showing me Inkscape. I would like to thank Richard Zahoransky for the helpful discussions about various GSM topics. Thanks to Holger Hans Peter Freyther as well, who gave me tips on how to modify OpenBSC to make an independent data channel interface with a cell phone. Things which have not been done before are always intellectually seductive and this kept me motivated and working during the tough periods. An analysis, with regards to accuracy and precision of the delivered positions, was discussed.

Abstract

As smart phones gain popularity, it is possible to use their internal GPS receivers to provide the growing number of mobile users with aiding and assistance information with regard to their location. This thesis examines the possibility to localize mobile users inside of GSM networks by exploiting the GPS receivers in smart phones. This work investigates the possibility to implement the localization protocol RRLP inside of existing GSM networks and to provide assistance data for the GPS receivers to deliver more accurate positions. To obtain the estimated positions two GSM hardware platforms have been tested, dedicated and undedicated GSM hardware. Software for processing and delivering assistance data has been developed for the dedicated GSM hardware. The evaluated results proved that out of 11 tested cell phone models, 6 successfully provided their GPS location.

Die zunehmende Popularität von Smartphones ermöglicht durch eingebaute GPS-Empfänger einer wachsenden Anzahl mobiler Nutzer Hilfsinformationen zu ihrem Standort bereitzustellen. Diese Arbeit untersucht Wege um mobile Nutzer innerhalb eines GSM-Netzwerks mit Hilfe der GPS-Empfänger zu lokalisieren. Dazu untersucht diese Arbeit wie das Lokalisierungsprotokoll RRLP innerhalb existierender GSM-Netzwerke implementiert werden kann und liefert Assistenzdaten für GPS-Empfänger mit denen eine genauere Bestimmung der Position möglich wird. Um die geschätzten Positionsinformationen zu erhalten wurden zwei verschiedene GSM-Plattformen getestet; eine dedizierte und eine undedizierte GSM-Plattform. Es wurde Software zur Verarbeitung und Generierung von Assistenzdaten für die dedizierte GSM-Hardware entwickelt. Die Ergebnisse der Evaluation zeigen, dass von elf getesteten Smartphone-Modellen sechs ihre GPS-Position erfolgreich übermittelt haben.

Contents

1. Introduction	1
1.1. Motivation	1
1.2. Overview of the thesis	2
2. GSM	5
2.1. GSM Network structure	5
2.2. Overview of the air interface (Um)	8
2.3. Logical channels and the data channel	11
2.4. Positioning techniques in GSM networks	13
2.4.1. Cell-ID	13
2.4.2. Received Signal Strength	14
2.4.3. E-OTD and UL-TDOA	15
2.4.4. Other techniques	16
2.4.5. Assisted-GPS	18
3. GPS & Assisted-GPS	19
3.1. GPS data and signal modulation/demodulation	20
3.1.1. Carrier wave demodulation	24
3.1.2. C/A wave demodulation	25
3.2. Implementation of the 2D search space problem	27
3.3. Assisted GPS in wireless networks	29
4. Radio Resource Location Protocol	31
4.1. RRLP Request	31
4.2. RRLP Assistance data	38
4.3. RRLP Response	43
5. Implementation	47
5.1. Undedicated GSM hardware testbed setup	47
5.1.1. Universal Software Radio Peripheral	48
5.1.2. OpenBTS and first tests	48
5.2. Dedicated GSM hardware testbed setup	49
5.2.1. GSM BTS - nanoBTS	50

5.2.2.	GPS Receiver - NL-402U	51
5.2.3.	Testbed setup configuration	51
5.2.4.	OpenBSC and its original RRLP implementation	52
5.2.5.	RRLP assistance data generator	52
5.2.6.	Creating a data channel in OpenBSC	55
6.	Results	57
6.1.	Tests & Results	57
6.1.1.	Smart phones tested	57
6.1.2.	Performed tests	57
6.2.	Criticism of performed tests	63
6.3.	Future work	64
7.	Summary and security issues	65
	Bibliography	67
	Dictionary of acronyms	75
	Appendix	79
A.	Installation and configuration guide	79
A.1.	Installation of OpenBSC	79
A.2.	Configuring nanoBTS for OpenBSC	81
A.3.	Installation and configuration of RRLP assistance software . .	83
B.	Troubleshooting the BTS	86
C.	Carrier wave demodulation	87
D.	C/A wave demodulation	89
E.	GPS assistance data descriptions	91
F.	GPS distance and position estimation	93
	List of figures	99
	List of tables	103

1. Introduction

1.1. Motivation

Recent developments in the field of physics, chemistry and electronics have led to the cost-efficient manufacturing of diverse, compact single chip integrated solutions. As a consequence of this rapid development it became possible to integrate a GPS receiver into almost every cell phone without drastically increasing the price, physical size or weight of the cell phone. An example of this would be the GPS receiver chip inside the Apple iPhone 3GS. Its cost was estimated to be around \$2.25 USD [7]. It is important to note that the number of wireless connections has increased as well; in 2011 there were 6 billion mobile connections worldwide [30]. In the following European countries, Germany, France, Spain, Italy and UK, 44% of all GSM users own a smart phone, whereas in the US and Canada this number is slightly higher, 46% [22]. By the statistics of the Blur group, 47% of all the cell phones on the world will be smart phones by 2015 [10].

An emerging new market of Location-Based Services (LBS) has resulted and since then the telecommunication and marketing industry have undergone rapid change. In 2009, 63 million users owned LBS-capable phones. This number is expected to grow in 2012 to 468 million users worldwide [10]. As social networks like Facebook, Twitter or Foursquare (a location-based social network) expand, it has become a trend for the users to share their location with their friends [10]. It has been reported that LBS represents a bonanza opportunity for new startup companies and global industry analysts project by 2015 a global market worth \$21 USD billion (\approx €17.142 billion) [54]. New ideas and algorithms for tracking, navigation solutions, safety, security, searching for local business and payments shall emerge from the use of LBS technology [54]. LBS have already been used for tracking people with dementia and Alzheimer's disease, as reported in a study performed by researchers at the University of Siegen [58]. The Enhanced 911 (E911), an emergency service in the US for linking emergency callers with the appropriate service (police, firefighters and emergency room), is regulated by the US Federal Communication Commission (FCC), which sets the standards for all telecommunication providers, including the

precision with which callers' locations are tracked [78]. Europe's emergency service has similar standards [47]. Next generation networks, Long Term Evolution (LTE) 4G networks, have been designed from the start to have LBS capabilities integrated in the system and have better LBS performance as well as higher accuracy compared to GSM networks [75]. In this thesis the author will provide the theoretical and practical knowledge required for building a localization system of mobile users inside of a 2G GSM network by taking advantage of the already-existing Assisted-GPS (AGPS) receivers inside of smart phones. Another reason why the AGPS method was preferred over other localization methods is because the position estimation is sufficiently precise and accurate compared to other methods. Further advantage over other positioning techniques is that smart phones with an AGPS receiver represent slightly less than 50% of the total cell phone market in the most solvent EU economies and the US [22]. This work may be seen as a scenario what kind of information can be gained by a third persons having access to a GSM network. This thesis may be perceived as pioneer work in the field of localizing mobile users by taking advantage of AGPS receivers in smart phones.

1.2. Overview of the thesis

The thesis is divided into three parts. The first is a theoretical introduction to GSM and GPS systems as well as the protocol required for the positioning of mobile users. The second part provides more details on the software implementation and the hardware required to construct the equivalent setup. The last section is a discussion and analysis of the findings and accomplished results in the test environment. It is followed by the conclusion and provides a discussion of security issues.

Chapters 2 and 3 will provide a theoretical introduction of the GSM operational principles as well as of the GPS and AGPS receivers required for understanding the basic functioning principles of the entire positioning system. The theoretical concepts of GPS receivers will be analysed and discussed in depth since they provide evidence for the advantages and limitations of this method. These two chapters will provide an explanation for the achieved and observed results in this thesis. Once the GSM and GPS working principles have been explained, the author shall proceed with introducing the reader to the Radio Resource Location Protocol (RRLP), responsible for transmission of assistance data and obtaining the position of the mobile user. More details on RRLP will be provided in chapter 4. In chapter 5, the reader will be introduced to the software development and implementation process. More details on the hardware connections and setup shall be provided in chapter 6. In chapter 7 test results and the test environment will be presented. Chapter 8 will provide

1.2. OVERVIEW OF THE THESIS

a summary of the entire system. The appendix contains details for configuring the entire system and for obtaining the same results. This thesis includes a CD with the source code developed during the work on this thesis.

2. GSM

In the past two decades we have been witness to an increasing development of wireless communication technologies, one of the most rapidly developing fields of engineering. Global System for Mobile Communications¹ (GSM) networks played a major role in wide-spreading wireless voice services in every corner of the planet [30]. According to the GSM Association (GSMA) in 2011 there have been 6 billion registered wireless connections world wide [30]. In this chapter more details shall be given on the second generation GSM network which was employed in this work for delivering GPS assistance data to cell phones. More information shall be provided on the general working principles of GSM and how a data channel is initialized to deliver data to cell phones.

2.1. GSM Network structure

Cell phones require special purpose hardware to build a wireless connections. This hardware is the Base Transceiver Station (BTS). BTS is the first hardware unit the cell phone is communicating with over the air interface and provides a connection with the cell phone [34, Chapter 3]. This connection between the BTS and the cell phone is called the U_m interface, as shown in figure 2.1. A BTS can serve up to six users on one frequency in full duplex mode since two out of eight time slot are used for broadcasting of signalling and system information. By sectorising BTSs with different frequencies and by altering the configuration the number of six mobile users can be increased per sector. The BTS are divided into geographical regions² by their signal coverage. A BTS consists of a RF transceiver, internal clock and modulator/demodulator. The function of the RF transceiver is to enable the reception and transmission on the uplink and downlink channel for the cell frequency where the BTS is located³. The main function of the internal clock is to supply the BTS with a frequency such that

¹First time when the standard was developed, GSM meant *Groupe Spéciale Mobile* [34]

²Usually they are represented as hexagons but it could take any other geometric shape.

³Cell is the area covered with GSM signal and from which a cell phone can communicate with a BTS.

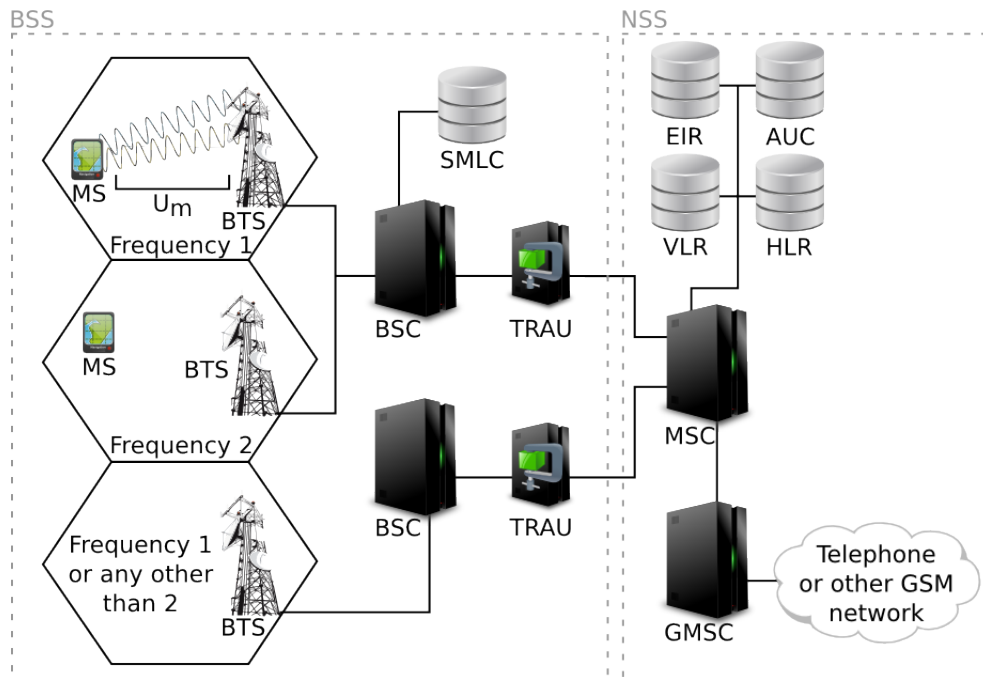


Figure 2.1.: Basic GSM network block diagram. Image courtesy of [55] and [82].

the internal circuits can produce frames separated in time domain. The internal clock has to be sufficiently accurate for the GSM network to work, an accuracy of at least ± 5 ppm (parts per million) [82]. If the GSM network is synchronized, this internal clock is not employed but an external clock generated signal from an atomic clock. The GSM network must be synchronized for some of the position localization techniques discussed in this chapter. Devices providing the synchronous clock are called Location Measurement Units (LMU). Modulator/demodulator main function is the modulation and demodulation of the received and transmitted signals. The transmission from the cell phone to the BTS is shifted for 3 time slots compared to the reception of the signal from the BTS⁴ [34, Chapter 7] [55] [86, Chapter 4]. This frequency shift was introduced so that the cell phone has sufficient time to switch its reception unit to transmission unit [82].

One or more BTSs are connected to the Base Station Controller (BSC). The main task of the BSC is to control the radio resources of the connected BTSs such as assigning radio channels to different BTS, frequency hopping in case of an *handover* and controlling the power levels within channel [86, Chapter 4] [55] [34, Chapter 3].

⁴Timing advance factor is added to the three time slots. The numbering of the time slots remains the same, i.e. if time slot 0 is used for downlink, it is named 0 in the uplink as well although it is shifted.

2.1. GSM NETWORK STRUCTURE

Handover is the process of switching⁵ from one BTS to another during an active connection when the signal reception strength is higher than on the currently-connected BTS. This signal reception strength is known as Received signal strength (RSS). RSS are measurement reports transmitted from the cell phone to the BTS. RSS is used to determine if the handover process should be triggered or not [84]. BSC is connected to the Transcoding Rate, Adaptation Unit (TRAU) and Serving Mobile Location Center (SMLC). The SMLC node contains the functionality to support location services for the GSM network [1]. This builds the Base Station Subsystem (BSS), as it can be seen in figure 2.1, on left side inside of the gray dashed line rectangle. Inside of the BSS, TRAU is responsible for compressing and decompressing speech between the cell phone and a speech signal from the other side, from 64 kbps to 16 or 8 kbps depending if it is a full or half rate channel.

The next subsystem block is the Network Switching Subsystem (NSS), as it can be seen on figure 2.1, on right side inside of the gray dashed line rectangle. The main task of NSS is to connect the GSM with other telephony networks (GSM networks from other providers or the Public Switched Telephone Network) [86, Chapter 4]. It consists of Mobile Switching Center (MSC), Gateway Mobile Switching Center (GMSC) and databases.

MSC's main function is to route incoming and outgoing calls between the moving mobile users, "the assignment of user channels toward the BSS" [34, Chapter 4] [55]. GMSC is a type of MSC for external networks, GSM networks from other providers or telephone networks are routed through the GMSC[34, Chapter 4].

There are four databases: Home Location Register (HLR), Visitor Location Register (VLR), Authentication Center (AUC) and Equipment Identity Register (EIR). HLR database stores data about the GSM subscribers of a network provider. The data, contained in the HLR database, are subscriber's unique International Mobile Subscriber Identity (IMSI) code, subscriber's phone numbers (MSISDN), subscriber's current location and subscriber's usage statistics. IMSI is the serial number of the Subscriber Identification Module (SIM) card. The SIM card is inserted in the cell phone. Subscriber's usage statistics are information that contain data for the billing system. The current location of a mobile user is acquired through the location of the BSC which controls the BTS currently serving the mobile user, i.e. the BTS to which the cell phone is connected now [55]. VLR serves as a temporary data storage of important parts of HLR data (not all data known for the particular user) of all the visiting mobile subscribers served by the current MSC. For instance if a cell phone from its home MSC enters an area covered by the newly entered MSC, its VLR will

⁵Disconnecting from the BTS currently connected to and connecting to the neighboring one with another frequency

request some of the HLR data from the HLR database of the MSC where the cell phone is registered [82] [86, Chapter 4]. AUC contains confidential keys for each mobile subscriber required for encrypting the data before they are transmitted to the cell phone from the BTS [20, Chapter 3]. The keys located in AUC are also required for the cell phone to register in the network [55]. EIR is an optional database but contains data about approved types of mobile equipment (not stolen cell phones), black listed cell phones (they are identified by their International Mobile Equipment Identity number which is unique for every manufactured cell phone) and cell phones which ought to be tracked if they register [34, Chapter 4].

2.2. Overview of the air interface (Um)

The main task of GSM networks was to enable wireless voice transmission between GSM and other GSM/telephone users inside of switched networks. It was not designed to be used with data services which are a necessity in today's standards. GSM networks are worldwide spread and work on different frequency spectrums depending on the country where the networks are deployed. The reason why different frequencies are used is because of interference with different wireless systems and used telecommunication standards. Particularly in Germany, the Federal Network Agency (German: *Bundesnetzagentur*) is the responsible organisation for assigning different frequencies to GSM operators since these frequencies belong to the group of licensed frequencies and are not allowed to be used by everyone. In Germany the used frequency bands are GSM900 and GSM1800, their frequency ranges can be seen in table 2.1 [55]. These frequency bands are divided into 200 KHz channels, for a frequency band range of 35 MHz there are 175 operating channels. This technique is called Frequency Division Multiple Access (FDMA) and supports using parallelly more frequency channels inside of the same covered area with GSM RF signal. FDMA is employed when the frequency bandwidth is limited like in the GSM networks. By utilising FDMA the network throughput is used more efficiently since different users can send or receive information at different frequency slots instead of waiting for their turn. These frequency channels have a unique identifier number. They are named as Absolute Radio Frequency Channel Numbers (ARFCN). The basic idea of FDMA inside of the frequency spectrum GSM900 for GSM can be seen in figure 2.2, ARFCN numbers are assigned according to the frequencies which are employed. It is important to distinguish uplink and downlink frequencies. Uplink frequency is used when the cell phone transmits data to the network operator, whereas downlink from the network operator to the cell phone. GSM is a full duplex communication system, at the same time the cell phone or the network operator can send and receive data. Although the equivalent ARFCN number is used for uplink and downlink channels,

2.2. OVERVIEW OF THE AIR INTERFACE (UM)

the frequencies are shifted 45 MHz in GSM900 and 95 MHz in GSM1800 as it can be seen in figure 2.2 for GSM900.

Table 2.1.: GSM operating frequencies in Germany.

Frequency band	Uplink frequency (MHz)	Downlink frequency (MHz)	Channel number
GSM900	880 - 915	925 - 960	0, 1 - 124, 975 - 1023
GSM1800	1710 - 1785	1805 - 1880	512 - 885

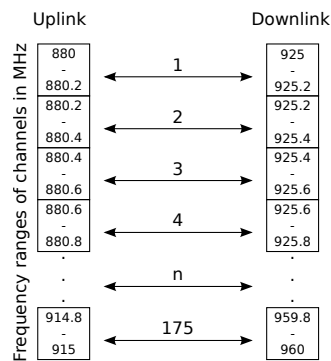


Figure 2.2.: Frequency ranges of uplink and downlink channels in the GSM900 band. Each box represents a frequency band (channel). Image courtesy of [55] and [82].

Aside from using different frequency channels, each frequency channel (ARFCN) is split up into eight time slots 2.3. This technique of dividing a frequency into time slots is named Time Division Multiple Access (TDMA). TDMA allows several users to share the same frequency channel but in different time slots. Using this technique the voice throughput is better utilised and a broader amount of users can be served at the “same” time, i.e. the capacity of parallely speaking GSM users is increased. TDMA was employed because the voice could be compressed with Linear Predictive Coding (LPC) without the human noting a difference in the call quality [50]. By taking advantage of LPC, instead of the 64 kbps required for transmission of voice it was possible to compress the voice without losing much of the call quality into 8 kbps for half rate and 16 kbps for full rate⁶.

⁶Human speech has a frequency bandwidth between 0 and 4000 Hz [16]. Human voice is by its nature analog and requires to be converted into a digital stream of ones and zeros. By Nyquist-Shannon sampling theorem the sampling frequency must be at least two times greater than the sampled frequency and with an 8 bit Analog to Digital Converter (ADC) this defines the 64 kbps required to transfer voice ($2 \cdot 4000Hz \cdot 8 = 64000$).

The idea of employing TDMA on FDMA in the GSM900 band can be seen in figure 2.3. Each time slot duration is $\approx 577 \mu s$, all 8 time slots have a period of $\approx 4.615 ms$ [82] [34]. By applying this technique each GSM user can send data inside of the assigned time slot without disturbing users on different time slots.

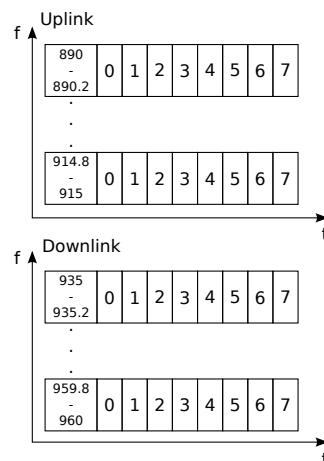


Figure 2.3.: Each frequency channel (ARFCN) is split into 8 time slots. With this approach more GSM users can be served at the “same” time. Image courtesy of [34].

Eight time slots in GSM are called a TDMA frame. Each time slot in GSM is known as a physical channel, on the physical channels are built up the logical channels. Logical channels have a predefined pattern of time slot they are assigned. Logical channels can be divided in two groups, traffic channels (TCH) and signalling/controlling channels (CCH). User payload data like speech and message data are transmitted in the TCH channels whereas control data for control, synchronization and management of the GSM network are transmitted through the CCH channels [20, Chapter 4].

Every TDMA frame is assigned a unique integer number which is then repeated and reassigned every 3h:28m:53s:760ms, also known as *hyperframe* [34, Chapter 7]. In the hierarchy pyramid, a layer lower of the hyperframe is the *superframe*. There are two types of superframes, consisting of two types of *multiframes*, differing in their length [34, Chapter 7]. The relations can be seen in figure 2.4 with their duration periods. The multiframe with 26 TDMA frames carries only traffic channels. The other multiframe type, with 51 TDMA frames carries solely signalling data. This hierarchy constrain was defined due to internal synchronization of the GSM network and cyphering between the cell phone and the BTS [34, Chapter 7].

2.3. LOGICAL CHANNELS AND THE DATA CHANNEL

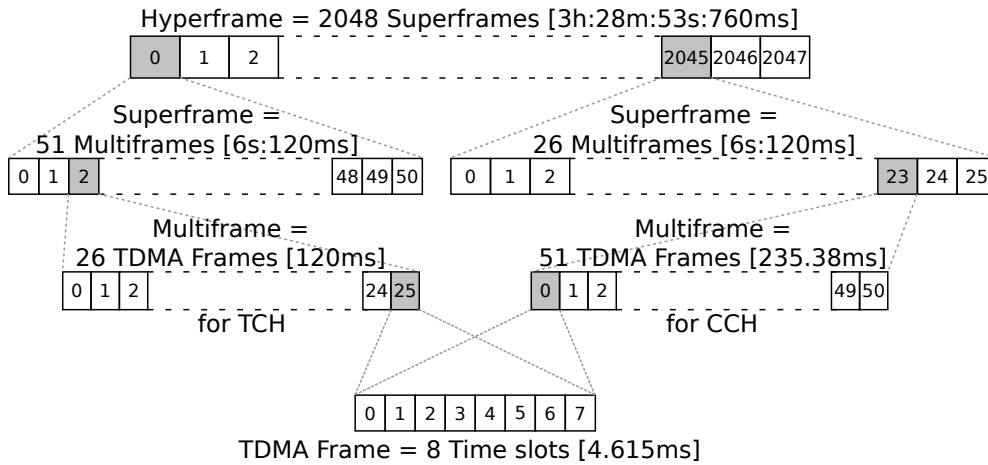


Figure 2.4.: Hierarchy of the GSM frames. Image courtesy of [34].

2.3. Logical channels and the data channel

In this section more details will be given on logical channels and the procedure to initialize (open) a Stand-alone Dedicated Control Channel (SDCCH). As stated in section 2.1, logical channels can be divided in two groups, traffic channels (TCH) and signalling/controlling channels (CCH). The former are employed for transferring payload data like speech and message data and the latter for managing and synchronizing the GSM network [20, Chapter 4]. For the purposes of this thesis, the term “Mobile Station” (MS) will be used to refer to a cell phone or to designate the user one intends to locate. Traffic and signalling channels can be split up by their usage, as given in tables 2.2 and 2.3.

Table 2.2.: Traffic channels on the air interface. Table courtesy of [34].

Channel name	Abbreviation	Function	Direction
Traffic channel full rate	TCH/F	Full rate traffic transmission	MS↔BSS
Traffic channel half rate	TCH/H	Half rate traffic transmission	MS↔BSS

The protocol scenario occurring in this work can be seen in figure 2.5 [32]. In order for the assistance data to be delivered to the MS, an SDCCH channel has to be initialized. This occurs in the following procedure, the BTS where the MS has been lastly active or idle broadcast a paging request (PCH channel) to the selected MS. After the MS obtains the paging request, the MS shall try to send a random access request (RACH channel) using the Slotted Aloha protocol. Another MS could transmit a random access request in the same time slot allowing collisions to occur. In case there was no collision, if the BTS successfully received the random access request

and at the moment of reception has a free SDCCH channels, it will immediately reserve an SDCCH channel and send the MS an assignment request (AGCH channel) back. After the MS obtains the assignment request, the SDCCH channel is initialized and data can be transferred in both directions. In this particular case, in the thesis, assistance data are sent to the MS (BTS→MS), whereas the acknowledgements, errors or the position are delivered to the BTS (BTS←MS). In the case if all SDCCH channels are reserved, the network will queue an SDCCH request for later assignment or it may send an assignment reject. While an active SDCCH connection exists, the MS will receive and transmit radio link control messages (signal strength and synchronization data) on the SACCH channel [32].

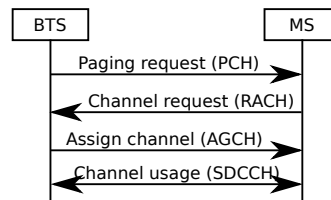


Figure 2.5.: Initializing an SDCCH channel. Image courtesy of [32].

Table 2.3.: Control channels on the air interface. Table courtesy of [34].

Channel name	Abbreviation	Function	Direction
Frequency correction channel	FCCH	Frequency correction for oscillator on MS	MS←BSS
Synchronization channel	SCH	Synchronization information (TDMA frame number to know current location in hyperframe)	MS←BSS
Broadcast common control channel	BCCH	Broadcast information about current BTS and its neighbouring cells	MS←BSS
Access grant channel	AGCH	Required to assign the MS an SDCCH or TCH channels	MS←BSS
Paging channel	PCH	Paging request is sent out when MS has incoming traffic (phone call, SMS, etc.)	MS←BSS
Cell broadcast channel	CBCH	Required to broadcast a message to all MS inside of a MSC (e.g. weather forecast)	MS←BSS
Stand-alone dedicated control channel	SDCCH	Exchange of signalling information between MS and BTS when no TCH is active	MS↔BSS
Slow associated control channel	SACCH	Transmission of signalling data during an active TCH connection (signal strength and sync. data)	MS↔BSS
Fast associated control channel	FACCH	Transmission of signalling data during an active connection but used only if necessary (e.g. handover)	MS↔BSS
Random access channel	RACH	Request from MS to BTS for a communication channel (e.g. a phone call from MS)	MS→BSS

2.4. Positioning techniques in GSM networks

In this section, the current technologies for estimating the position of a mobile user shall be presented and their working principle. When the GSM network was designed, its primary goal was to enable wireless full duplex telephone service [36]. Over the past decade the GSM and its derivative networks became more popular and mature compared to the initial GSM standard, so the demands grew for new services such as Internet connectivity and LBS. Emergency services wanted to be able to localize mobile users in emergency situations like snow avalanches or other non-typical daily emergency situations [47]. This demand led to the development of various approaches that differ in complexity and in the degree of accuracy of position fixes. However, the user positioning was limited by existing technology standards, and any improvement would require extremely expensive cost modifications to the existing network infrastructures. Several different ideas have been put forward to localize mobile users while avoiding these potential problems. They shall be presented in the following sections. First, however, it is important to distinguish between three different approaches to positioning mobile users, handset-based, network-based, and hybrid-based. With handset-based techniques, the handset itself tries to estimate its position on its own using the available information. In the network-based approach, the network makes all the required measurements and the handset itself is passive. The last, hybrid-based, approach uses resources from the handset and network together; both are active participants in the position estimation process. A few different methods, varying by their complexity and precision, shall be presented, in order of their complexity.

2.4.1. Cell-ID

The cell-identification method is the simplest known GSM positioning method [49, Chapter 8]. By knowing the geographical location of the BTS, one can roughly estimate the position of the MS [26, Chapter 4]. It is important to build maps where the BTS signal can be received and where the border *handover* points are located. The basic principle is shown in figure 2.6. The MS is in the region of the currently-connected BTS and it could be at any point inside of the hexagon. Every BTS has a unique identifier code name and hence can be distinguished from other BTS's.

The accuracy of this method is typically in a range of 200 m [85]. This method can be seen both as a handset- and network-based position estimation technique, due to the fact that the user may run his/her own application on the cell phone or it can be applied by the network operator himself. This estimation technique does not require the MS to be a smart phone; it works with any type of cell phone.

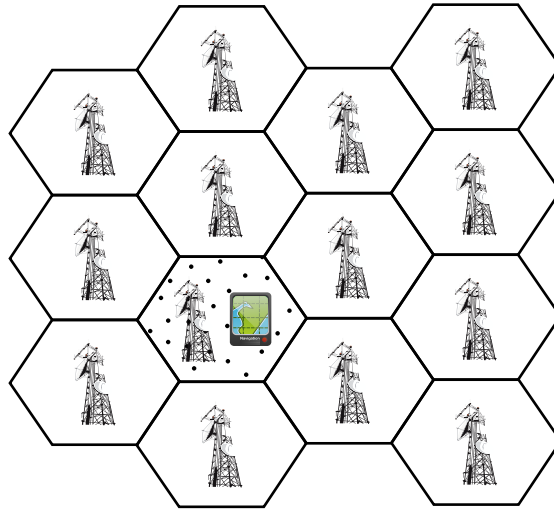


Figure 2.6.: Cell-ID position estimation technique.

2.4.2. Received Signal Strength

The RSS position estimation technique, as the name states, uses the signal strength measurement reports to localize the MS.

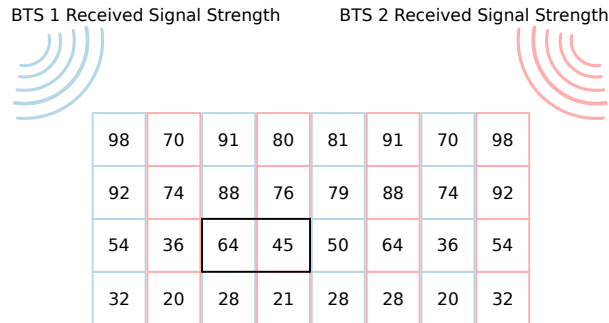


Figure 2.7.: Basic idea of the RSS estimation technique. One rectangle location is represented by two RSS measurements for two BTS, blue indicates BTS1 and red indicates BTS2.

This method requires mapping the location blocks of the covered areas with RSS before it can be used [84]. The basic idea can be seen in figure 2.7, where one location region is represented by two differently colored (blue and red) RSS measurements inside of one rectangle. By knowing the RSS in advance one can estimate the probability that the MS is located in the black rectangle. Since it is difficult to measure the RSS at every point, the map is interpolated with RSS using the Voronoi interpolation to calculate the expected RSS at places where the measurement have

2.4. POSITIONING TECHNIQUES IN GSM NETWORKS

not been conducted [84]. In the next step the probability distribution, the Bayes Theorem, is utilised to estimate the location of the MS by computing probabilities for all the points in the map. The precision of this method is limited to the amount of BTS in range and the manufacturer design of the RF front end in the cell phone. However, this method can be applied on any cell phone and does not require a smart phone. It is a network based estimation technique.

2.4.3. E-OTD and UL-TDOA

E-OTD and UL-TDOA are two similar positioning techniques; both use the time difference of signal arrival and for this reason have been grouped together. E-OTD stands for Enhanced Observed Time Difference. This technique requires the GSM network to be clock-synchronized. The clock synchronization of the GSM network can be achieved with a Location Measurement Unit (LMU) [24]. LMU's provide the precise time to the BTS's by having an atomic clock synchronized with the BTS on a separate location from the BTS or by providing a special GPS device at the BTS' location that can provide the precise time [24]. The clock synchronization of the MS and the BTS is required because the E-OTD technique takes advantage of measuring signal propagation time. A data signal with precise up-to-date time information is transmitted from three or more spatially distinct BTS's at the same time and then propagation time is measured on the MS (all these BTS's must be detectable by the MS itself) [57]. Once the difference in time is known between when the signal was transmitted and when it was received, it is easy to estimate the relative position to the BTS's with hyperbolic trilateration [57] [1, Chapter 4]. In order to estimate the absolute position, one must first know the absolute location of the BTS's. The basic idea can be seen in figure 2.8. E-OTD requires the cell phone to be equipped with firmware to perform these measurements but does not require new or external hardware. The accuracy of this method lies in the range between 50-200 m, depending on the location of the MS [52]. This method is can still be susceptible to the multipath signal problem, however. E-OTD is a handset-based position estimation technique.

UL-TDOA (Up-Link Time Difference of Arrival) is a similar localization technique as E-OTD [52]. The basic difference between UL-TDOA and E-OTD is that the signal propagation time is observed on the BTS's and not on the MS itself. To estimate the position of the MS, the BTS responsible for the MS forces the MS to request a handover to two or more BTS's nearby. The MS sends a handover burst signal and the neighboring BTS's measure the waiting time between the handover request signal itself and the transmitted burst from the MS. Using the observed time difference, the BTS's can compute the location of the MS. It is important to note that this position

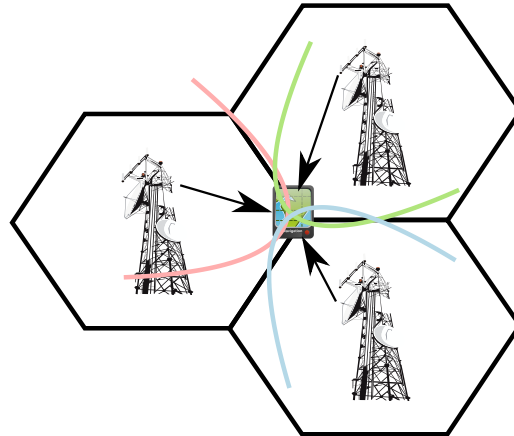


Figure 2.8.: Basic idea of the E-OTD positioning technique. Current time information is transmitted from 3 different BTS's at the same time. Then the MS observes the difference of time when the information arrive and using trilateration technique calculates the relative position of the MS.

estimation technique takes place while there is an active call on the MS or the BTS makes a silent call to the MS where the mobile user is not aware of being tracked [52]. This technique is slightly less accurate than E-OTD; the accuracy lies between 50-300 m [57]. The unsynchronized operation of the GSM network makes these two techniques impossible without clock synchronization. One microsecond error would produce an error of around 300 m. The advantage of UL-TDOA over E-OTD lies in the fact that no extra software modifications have to be made to the cell phone and this technique works on every cell phone. UL-TDOA is a network-based position estimation technique.

2.4.4. Other techniques

The previously-mentioned localization techniques are not the only existing methods but are the standardized ones. In this section, two more techniques shall be briefly described: Angle-of-Arrival and Google Maps' WiFi tagging. Angle-of-Arrival (AOA) is a localization technique that exploits a geometric fact that by knowing at least two angles from two known points, i.e. BTS's, it is possible to construct the third triangle point (intersection point). The intersection point represents the location of the MS. The angle is derived by a burst signal transmitted from the MS and the time difference of arrival for different elements of the burst signal. Once the angle is computed, it is straightforward to find the intersection point. This technique requires the BTS's to be synchronized with LMU's and to be in line of sight with the BTS's, otherwise

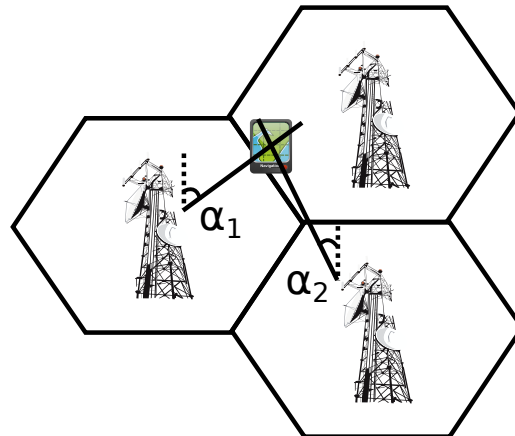


Figure 2.9.: Basic idea of the Angle-of-Arrival positioning technique. The angle of the reception signal on the BTS antenna is measured. By knowing at least two angles on two BTS's, it is possible to interpolate the intersection point where the MS is located.

this method shall deliver poor position results. It belongs to the group of network based position estimation techniques.

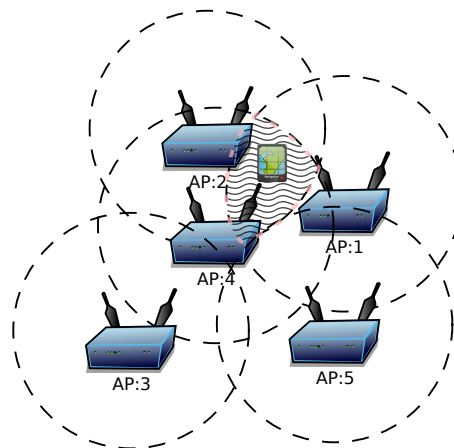


Figure 2.10.: Wireless Access Point tagging. The MS could be located anywhere where all three access points are visible, this area has a wavy background and is between access points 1, 2 and 4.

Another technique gaining in popularity is used by Google Maps to identify the position of the user by simply tagging an area with all visible wireless access points [27]. Since each access point has a unique MAC address it is not hard to identify them while driving through urban areas with a WiFi scanning device. The basic idea is depicted in figure 2.10, where the MS in this particular example is located where

access points 1, 2 and 4 are visible at the same time stamp. This technique works efficiently indoors as well as outdoors in cities since reception ranges of 801.11 b/g wireless networks are not more than 30-150 m, though the new standard 801.11 n has a wider coverage area. A simple overview of all the discussed techniques is given in table 2.4.

Table 2.4.: Overview of the localization techniques.

Technique	Sync.	Advantage&Disadvantage	Accuracy	Type
Cell-ID	No	Works on any cell phone; Imprecise	Anywhere in cell	Network
RSS	No	Works on any cell phone; Depends on cell phone model and environment	≈ 300 m	Network
E-OTD	Yes	Works on most new cell phone models; Expensive because LMU	$\approx 50 - 200$ m	Handset
UL-TDOA	Yes	Works on any cell phone Expensive because LMU	$\approx 50 - 300$ m	Network
AOA	Yes	Works on any cell phone; Expensive because LMU	Depends if MS is in line of sight	Network
Google maps with WiFi	No	Requires a smart phone with Google maps and Wireless 801.11 b/g/n; Does not work outside of cities or missing & unknown WiFi signal	$\approx 5 - 30$ m	Handset with aid of Network

2.4.5. Assisted-GPS

Another positioning technique is Assisted-GPS (AGPS). It has recently gained popularity because of the great number of smart phones with an embedded AGPS receiver. AGPS receivers can drastically decrease the waiting time required to estimate the position compared to GPS receivers if “exact time” is known [17, Chapter 4]. AGPS works by exploiting the existing navigation satellite network. This method does not work on every cell phone as do the aforementioned methods. It requires the cell phones to be equipped with an AGPS receiver. From this point on, cell phones with an AGPS receiver shall be referred to as smart phones since they have another potential use aside from the default communication application. The AGPS position estimation technique is a hybrid-based technique because the position is estimated with the help of the handset and the network provider. In other words, the handset estimates the position and the network provider delivers the required assistance data for faster acquisition time. The aim of this thesis is to employ this technique to get positions of GSM users with smart phones.

3. GPS & Assisted-GPS

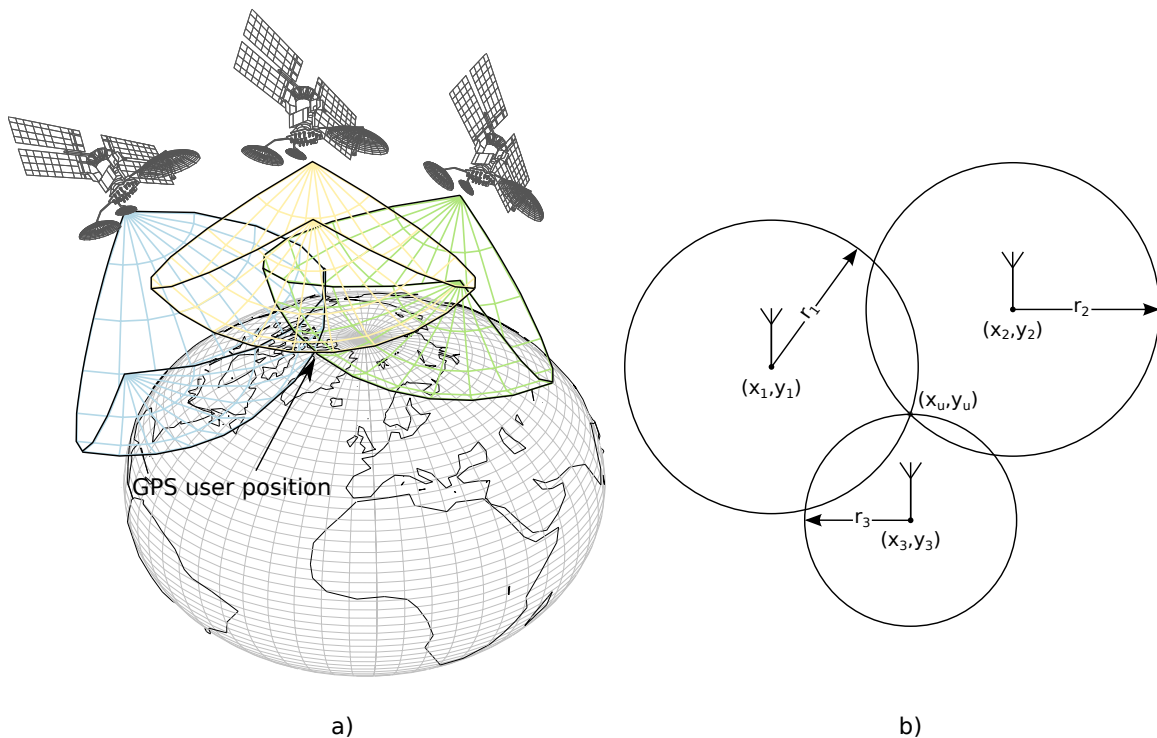


Figure 3.1.: GPS Simple working principle, a) example in 3D space with spheres b) example in 2D space with circles.

In the new global economy age, GPS (Global Positioning System) positioning has become of important value for various services and businesses. It has been growing at a rate of 30% in the past few years and the application market is expected to be worth €240 Millard by 2020 only in Europe [28]. The goal of this chapter is to bring more details and insights of how GPS receivers work. The chapter is divided in few sections that explain what type of data are transmitted by the satellites. how they are modulated before transmission, demodulated on the receiver and how the search space works to track a GPS satellite.

It is important to understand the basic principle of GPS navigation. GPS positioning works by using the principle of *trilateration*. Distances from the satellites to the

GPS receiver are measured and from these distances receiver's position is estimated. The distances are estimated by measuring the signal propagation time between the satellites and the receiver, this position estimation technique belongs to the group of time-of-arrival (TOA) methods. Once sufficient amount of measurements from different satellites were generated, the position of the receiver can be approximated. The general principle of this idea can be seen in figure 3.1, figure (a) shows the idea with spheres in 3D space and figure (b) the same idea but in 2D space. The blue, yellow and green wireframes below the GPS satellites represent the spheres for the given range between the satellites and the GPS user. By knowing the positions of the reference points, i.e. positions of GPS satellites, user's position can be estimated. By intersecting three spheres, the 2D position of the user can be estimated. The GPS satellites are positioned in orbits so that at every moment at any spot on Earth, at least four satellites are visible (a spot can be considered as a mountain peak since in the cities GPS signals are blocked by buildings).

3.1. GPS data and signal modulation/demodulation

The aim of this section is to give the reader an overview of the transmitted GPS data and to understand what type of processing takes place on the GPS satellite itself. As discussed in the paragraph earlier, to estimate the position of the GPS receiver, it is important to know the position of the satellite at the moment of signal transmission. Prior to releasing the data in the atmosphere, they need to be modulated in order for the GPS receiver to receive the data.

Each one of the GPS satellites transmits the same type of information. The transmitted data are called *frames* [11]. One frame of data can be seen in figure 3.2. Every of the 25 transmitted frames can be divided into five subframes of 300 bits length [17]. The data in the frames are called *navigation data* because using them the GPS receiver can estimate user's position. Each subframe can be divided into three fields of data, as shown in figure 3.3, Telemetry (TLM), Handover Word (HOW) and rest of the data (navigation data). TLM is the first word of the subframe and consists of a unique preamble used to synchronize and identify the subframes [11]. HOW is the second word of the subframe and consists of the *GPS system time* and subframe ID [11]. GPS system time is the time the atomic clock on the satellite generates at the moment of subframe broadcast and it acts as a time stamp [60]. These atomic clocks are calibrated and maintained on a daily basis by the U.S. Air Force [29]. The time the atomic clock generates, denoted as t_{SV} , is generated at the moment of the subframe broadcast [60]. The third segment of the subframe, indicated as rest of data in figure 3.3, consists of the navigation data. The first subframe includes

3.1. GPS DATA AND SIGNAL MODULATION/DEMODULATION

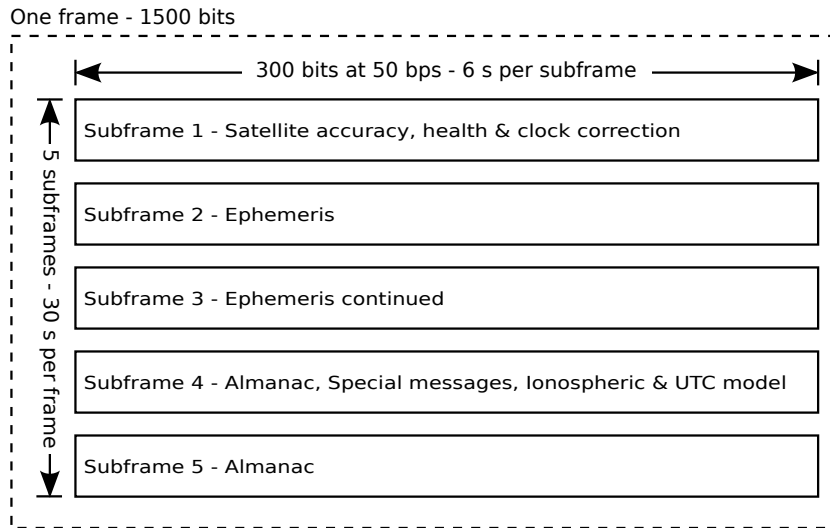


Figure 3.2.: One frame of 1500 bits on L1 frequency carrier. Image courtesy of [33].

data about the satellite accuracy and health parameters as well as data used for the clock corrections on the GPS receiver. These clock correction parameters can be characterized as bias, drift and aging errors [60]. Subframe two and three are made of *ephemeris data*. Ephemeris information are precise parameters for predicting the precise orbital position of the GPS satellite. Without the ephemeris data it is not possible for the GPS receiver to estimate its position. Fourth and fifth subframes



Figure 3.3.: Subframes always start with telemetry and handover words, the rest are parameters for removing errors and for estimating satellite's position.

include *almanac data*, low-precision clock corrections, ionospheric model and UTC time calculation parameters. Ionospheric model and UTC time calculation parameters are required by the GPS receiver to refine the calculation of delays through the ionosphere [11]. Almanac information is rough coarse parameters for predicting the orbital position of the GPS satellites. These low-precision parameters (almanac) are used by the receiver to estimate the rough position of the satellites which in return reduces the searching space of emitting satellite frequencies. Although all satellites transmit on the same frequency, when the signals are received on Earth, they have a different frequency from the transmitted one because of the Doppler effect ¹. Once

¹Doppler effect is a phenomenon that happens as a result of relative motion of the two bodies, transmitter and receiver, towards or away from each other and causes frequency shift of the electromagnetic wave [83, Chapter 4].

the frequencies are known, the receiver can track the satellites and obtain ephemeris parameters which are required to estimate the position. The first three subframes are satellite dependent and do not change in the transmitted 25 frames aside from the system time stamp [59]. The reason why there are 25 frames is because of the last two subframes, four and five. Subframes four and five have data which cycle through the 25 frames, i.e. almanac data are transmitted for all the 32 GPS satellites² in case the receiver found only one satellite and once it collected all almanac data, it can search for other visible GPS satellites. These 25 frames create a masterframe. Once the 25 frames have been transmitted, the process is repeated again.

The data are modulated using the Binary Phase Shift Keying (BPSK) technique. The newly modulated signal, denoted as $L1$, and it is emitted from the satellite's directed antennas toward Earth [59]. The BPSK technique works by changing the phase of the carrier signal for 180° at the moment of bit toggle (flipping) in the data [59] [11]. Basic principle of this technique can be seen in figure 3.4. The carrier wave for GPS BPSK modulation is centered at a frequency of 1575.42 MHz [11]. These signals travel an average distance of 20200 km from the satellite to the GPS receiver and are affected by various sources of noise. BPSK modulation is mostly used for satellite links because of its simplicity, immunity to noise and signal interference for the cost of low speed data transfer rates [37, Chapter 1].

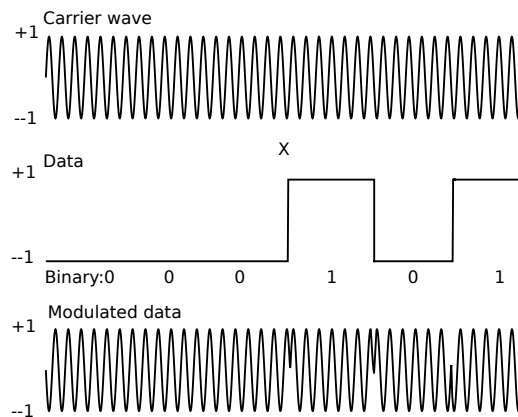


Figure 3.4.: BPSK Modulation - First depicted signal is the carrier wave, and it is multiplied (mixed) with the second signal, which are the data to be transmitted. The resulting signal at the output of the satellite antenna is the third one.

However, before the raw subframes enter the BPSK modulation process, they are XORed with Pseudo Random Noise (PRN) sequences for different satellites (each

²24 satellites are used in the GPS system, the rest is used in case one of the 24 fails.

3.1. GPS DATA AND SIGNAL MODULATION/DEMODULATION

satellite owns a unique PRN sequence) [11]. PRN sequences are used because they allow the identification of each satellite's transmitted data on the receiver, same satellite emitting frequency as well as to enable the distance measuring mechanism between the satellite and the GPS receiver. When the received signals are processed, equivalent PRN sequences are generated on the GPS receiver and then they are compared with the received PRN sequences which are delayed (shifted) due to the distance between the satellite and the receiver. This delay multiplied with the speed of light yields the distance between the satellite and the GPS receiver. PRN sequences have similar autocorrelation properties as noise, when it is shifted in time domain it has a low correlation value whereas when it is matched with exact image of itself it produces a high correlation peak [8, Chapter 3]. This property is used for identifying the satellites and for finding the exact phase shift. This phase shift is a consequence of the relationship between the instantaneous frequency $f(t)$ and instantaneous phase $\phi(t)$ at time instance t , the relationship between frequency and phase can be seen in equations (3.1) and (3.2). In other words, due to the Doppler effect the phase of the PRN sequence is disordered. Without the exact phase shift it is not possible to demodulate the original data (TLM, HOW and navigation data) from the received signals.

$$f(t) = \frac{1}{2\pi} \frac{\partial}{\partial t} \phi(t) \quad (3.1)$$

$$\phi(t) = 2\pi \int_{-\infty}^t f(t) dt \quad (3.2)$$

The second important property of PRN sequences is the property of orthogonality. This property enables the reception of different data on the same frequency, also known as Code Division Multiple Access (CDMA). It is important to note that the PRN sequences must have a higher frequency rate than the data, i.e. the bit duration of a PRN sequence is much shorter than of the data [8, Chapter 3]. Single bits in PRN sequences are called *chips* and the complete sequence as *code* [8, Chapter 3]. This newly generated signal is called direct sequence spread spectrum (DSSS) [8, Chapter 3]. In GPS terminology it is named as Code/Acquisition (C/A) code. C/A code is feed into the BPSK modulation process, where it is mixed with the carrier wave. The new produced signal is the L1. Transmission speed of the navigation message is 50 bps, therefore the reception of a complete masterframe requires around ≈ 12.5 minutes, i.e. $(1500 \text{ bitsperframe} \cdot 25 \text{ frames}) / (50 \text{ bps} \cdot 60 \text{ s})$.

The described GPS navigation data modulation can be seen in figure 3.5. The figure can be mathematically represented in the form of equation (3.3) [31], where $D(t)$ are the navigation data at the moment t , $C(t)$ is the PRN chip at the moment t , $\cos(2\pi f_c + \varphi_{SV})$ is the generated carrier wave with frequency f_c and phase φ_{GPS} , P is output power of the transmitter amplifier.

$$S(t) = PD(t)C(t)\cos(2\pi f_c + \varphi_{GPS}) \quad (3.3)$$

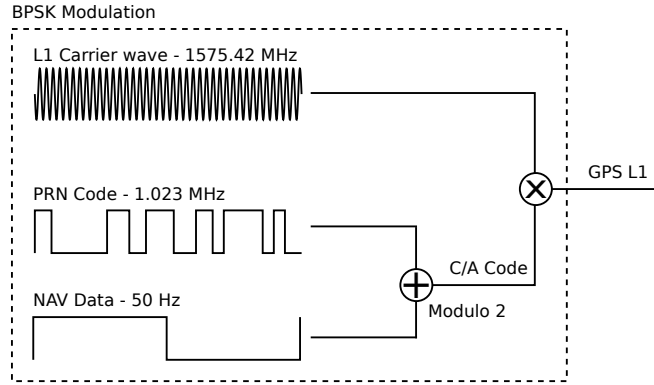


Figure 3.5.: Modulation of the GPS signal L1. Image courtesy of [33].

The equation 3.3 shall be rewritten as shown in 3.4. It is the equivalent equation but at the GPS receiver, where $d_{C/A}$ is the C/A data and $n(t)$ is the random noise at moment t generated by various factors that influence electromagnetic waves. In the next section, more details shall be revealed on the process of demodulating the GPS L1 signal and acquiring the correct time and position.

$$S(t) = \sqrt{\frac{P}{2}} d_{C/A} \cos(2\pi f_c + \varphi_{GPS}) + n(t) \quad (3.4)$$

3.1.1. Carrier wave demodulation

In order to calculate the signal propagation time between the satellite and the receiver, the internal sine wave synthesizer inside of the receiver has to be synchronized with the carrier sine wave generator of the GPS satellite [70]. In other words, the identical carrier wave replica has to be generated on the receiver as on the satellite [12]. However, the received signal is not the equivalent of the transmitted signal due to the nature of the Doppler effect and wave propagation properties. The transmitted signals arrive phase disordered at the receiver [70]. Considering that the GPS satellites orbit the Earth with a speed of around 3.9 km/s , the Earth rotates around its axis and the target user with the GPS receiver may move as well, the Doppler effect is unavoidable. The observed phase at the receiver antenna, denoted as φ_o , can be described using the equation given in (3.5), where φ_{GPS} is the known satellite carrier wave phase (as specified in the standard), $\delta\varphi_{SV}$ the clock instabilities on the GPS satellite, φ_a the phase shift error caused by propagation delays in the ionosphere and troposphere respectively, $\delta\varphi_{DE}$ the phase shift caused by the Doppler effect and $\delta\varphi_w$ is the wide-band noise phase shift.

$$\varphi_o = \varphi_{GPS} + \delta\varphi_{SV} + \varphi_a + \delta\varphi_{DE} + \delta\varphi_w \quad (3.5)$$

3.1. GPS DATA AND SIGNAL MODULATION/DEMODULATION

The task of the demodulation process is to generate a replica carrier wave with the matching phase shift and mix it with the incoming signal. In the ideal case the observed phase on the antenna and the generated phase on the receiver, denoted as φ_{rec} , cancel each other out, that is to say, equation (3.6) equals zero.

$$\Delta\varphi = \varphi_o - \varphi_{rec} \quad (3.6)$$

The circuit responsible for generating the same carrier wave is the Phase Locked Loop (PLL). The PLL circuit is a feedback loop that modifies the synthesized wave parameters such that $\Delta\varphi \approx 0$, a phase shift is shown in figure 3.6.

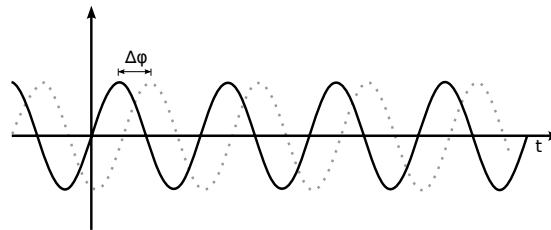


Figure 3.6.: Two carrier waves with the same frequency but different phase shift.

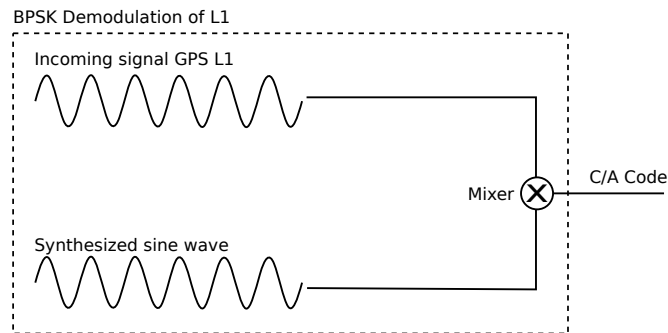


Figure 3.7.: Demodulation of the L1 GPS signal.

The reason why the equivalent carrier wave must be generated is explained in more detail in appendix C. At this point, the C/A data (navigation message modulated with the PRN code) have been extracted, it is required to demodulate C/A data as well (remove the PRN code).

3.1.2. C/A wave demodulation

As a result of the previous step, one can continue with the demodulation of the C/A wave. Demodulating the C/A wave with the PRN code will result in the required

data for estimating the position. Each tracked GPS satellite signal is demodulated separately using the same PRN code, code chipping rate and carrier frequency-phase for the given satellite [21, Chapter 4]. The carrier frequency-phase was determined in the previous step. The PRN codes for each GPS satellite is well defined and known by the GPS receiver. The receiver has to generate the equivalent PRN code with matching code chipping rate (phase) of the transmitted C/A code, this is depicted in figure 3.8 [21, Chapter 5]. This phase shift is again a consequence of the Doppler effect. For the particular example, the matching phase shift was achieved with the

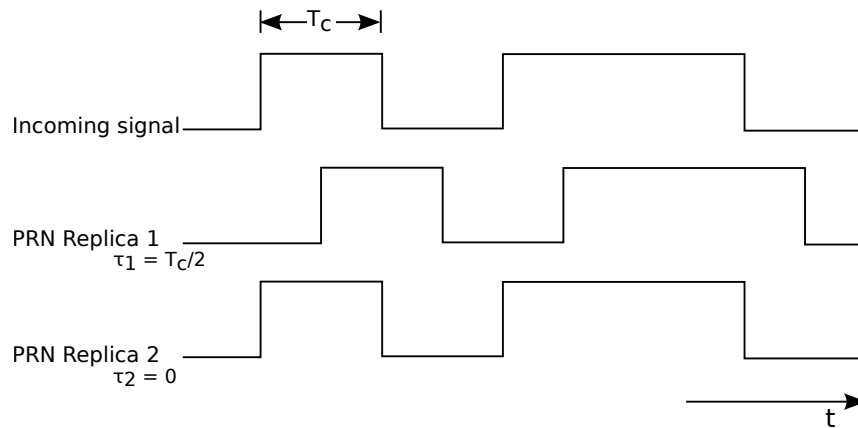


Figure 3.8.: Comparison between the original C/A code generated on the GPS satellite with two synthesized PRN codes with a different phase shift on the receiver. Image courtesy of [21].

second replica PRN code, with a phase shift of $\tau = 0$ but there could be a case with any other value of τ , $\tau \in [0, 1022]$. Implementation of the PRN code synthesizer depends on the GPS receiver manufacturer but it is usually implemented as a Linear Feedback Shift Registers (LFSR) that produces an output according to a predefined function $f(\tau)$. This function, $f(\tau)$, generates an PRN code, that is delayed in phase by τ , where τ is a multiple of the chipping rate period $T_c = 977.5 ns$. This demodulation process, of finding the correct chipping rate, is given in appendix D. Both carrier wave and C/A wave demodulation have to be executed at the same time. This can be represented as a 2D search space problem. This problem will be further analyzed in the following section.

3.2. IMPLEMENTATION OF THE 2D SEARCH SPACE PROBLEM

3.2. Implementation of the 2D search space problem

The 2D search space is limited by well known physical properties of the GPS navigation system, such as the motion speed of GPS satellites and the receiver as well as the frequency oscillator on the receiver. GPS satellites move toward or away from the GPS receiver with a speed of 800 m/s [17, Chapter 3]. The Doppler effect on the frequency of the satellite can be estimated using equation (3.7), where f_e is the emitting frequency (L1), v_{SV} is the speed of the satellite towards or away from the receiver and c is the speed of light.

$$f_{DE} = f_e \frac{v_{SV}}{c} \quad (3.7)$$

By inserting the appropriate values in equation (3.7) yields a result of ≈ 4.2 kHz, for 800 m/s and ≈ -4.2 kHz (if the satellite moves away from the GPS receiver then the speed is taken as negative). This makes a total range of ≈ 8.4 kHz. The Doppler effect of the GPS receiver motion can be ignored since for each 1 km/h speed of movement, it affects the frequency range for ≈ 1.46 Hz. On the other hand, the frequency offset induced by the reference oscillator in the GPS receiver can not be ignored. Function of the reference oscillator is to give the GPS receiver the clock pulse required for all the computations and comparisons in the process of signal demodulation. The frequency search space is “additionally affected for 1.575 kHz of unknown frequency offset for each 1 ppm (*parts per million*) of the unknown receiver oscillator offset” [17, Chapter 3]. The reference oscillators in GPS receivers have typically an offset of $\pm 0.5, \pm 1, \pm 2, \pm 3, \text{ or } \pm 5$ ppm [15], [17, Chapter 3], the standard in smart phone design has been set to ± 2.5 ppm [67]. In the worst case this makes the unknown frequency to be in range of 10 kHz – 25 kHz. A typical receiver searches in frequency bands (bins) of several hundred Hz [31]. Commonly used frequency bin size is 500 Hz, therefore there are about 20-50 bins to search ($10000 \text{ Hz} / 500 \text{ Hz} = 20$) [17, Chapter 3]. The frequency search bin size is a function of the desired peak magnitude loss (signal to noise ratio) due to the frequency mismatch and integration time period. This means with larger frequency bands, it becomes harder to identify the correlation peaks required to obtain the GPS data, described in section 3.1.2.

“The total range of possible GPS code delays is 1 ms. This is because the GPS C/A PRN code is 1 ms long, and then it repeats. The PRN code chipping rate is 1.023 MHz, and there are 1023 chips in the complete 1 ms epoch” [17, Chapter 3]. For the purpose of better understanding, a segment of the frequency/code delay search space is shown in figure 3.9. The peak implies the correct Doppler frequency and code delay have been found. In figure 3.9 smaller frequency bins have been used so that the concept becomes understandable to the reader. The speed of searching the 2D search space (finding the peak) depends on the complexity and strategy of the

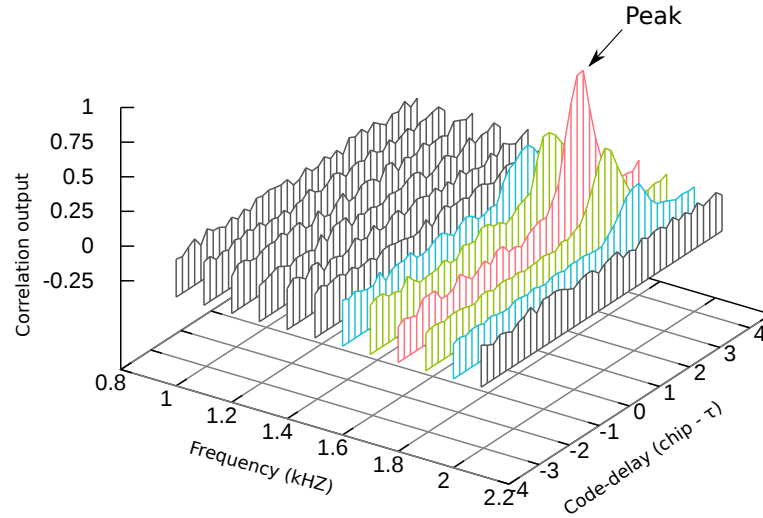


Figure 3.9.: Segment of the frequency/code delay search space for a single GPS satellite. Image courtesy of [17].

implemented algorithm [11, Chapter 6]. In the worst case, there are in total 102300 combinations in the search space, this can be derived from equation (3.8).

$$\text{Search Space} = 50 \text{ (bins)} \cdot 1023 \text{ (C/A codes)} \cdot 2 \text{ (Phases per C/A chip)} \quad (3.8)$$

There are three different working modes when it comes to finding a solution to the 2D search space problem. If no information are known, when some information are known and when almost all information are known. These three modes are known as *cold*, *warm* and *hot* start. Cold start indicates the GPS receiver has no almanac, ephemeris, oscillator offset and time data. In this case it is the cold start and the GPS receiver needs to obtain all these information manually using the described steps in this chapter. Once the receiver obtains all these information, it stores them in its Electrically Erasable Programmable Read Only Memory (EEPROM). In order for the GPS receiver to track the satellites faster next time it is started, it uses the previously stored information (last known almanac, oscillator offset, time and position data). This new type of start, is known as a warm start, provided that the data in the receiver's EEPROM are not older than 180 days and its real time clock counter was constantly updated³. This way the GPS receiver can use the previously saved information to estimate the rough position of the satellites, therefore the Doppler effects can be roughly estimated. As a consequence of the known Doppler effect, the frequency bins to search through to obtain the correlation peak are this time limited [17, Chapter 3]. Hot start works in the same manner as warm start however,

³The almanac data are valid for 180 days.

3.3. ASSISTED GPS IN WIRELESS NETWORKS

the ephemeris data and time data are precisely known (time is known in accuracy of sub-milliseconds). The process of finding user's position is explained in detail in appendix section F.

3.3. Assisted GPS in wireless networks

In the following paragraphs Assisted-GPS (AGPS) shall be presented and how it works. AGPS receivers work on the equivalent idea as warm/hot start on GPS receivers. Instead of loading the recently saved data from the EEPROM, an external information transfer medium is used to deliver the equivalent type of information that are known at the warm/hot start [73], [18], [5]. In this work, the external transfer medium is air and the information are transferred using electromagnetic waves. The existing GSM interface was utilised for the purpose of delivering the data to the smart phone with an AGPS receiver. The basic scenario can be seen in figure 3.10. The BTS station is connected to the GPS reference station. The GPS reference station delivers the GPS data: exact time stamps; approximate location; satellite health as well as clock corrections; ionospheric and UTC model; almanac and ephemeris data (data transmitted by the GPS satellites). These data are then transmitted to the MS with a position request. [5].

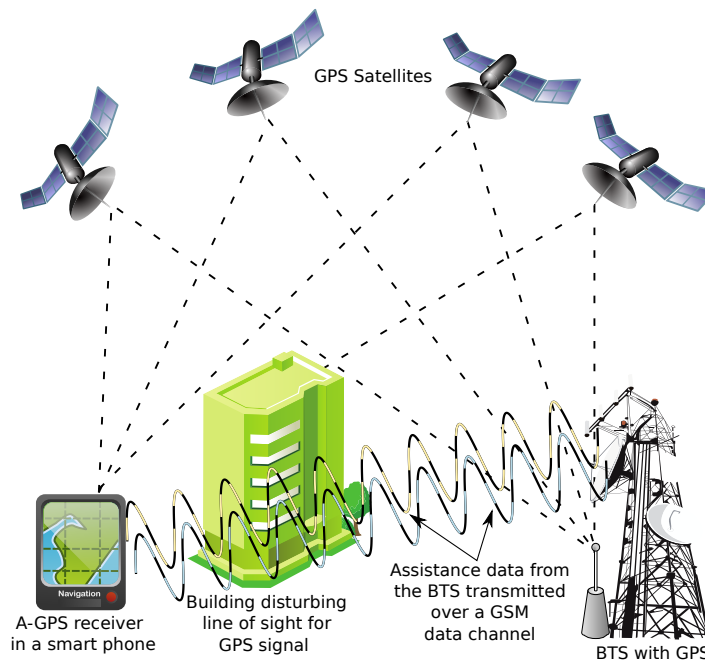


Figure 3.10.: Basic AGPS principle.

Time stamp is not used in GSM networks since it can be off by several seconds and would require additional equipment for synchronizing the network [5], [18]. However in CDMA networks the time stamp is accurate to within $100\ \mu s$ [5]. Approximate location is typically taken to be the location of the BTS from which the target AGPS receiver acquires the assistance data. Ephemeris and navigation data obtained from the GSM network provider help the smart phone to estimate its position. This method can greatly enhance the sensitivity of the receiver especially in urban environments [5].

Conventional GPS receivers require at least up to extra 18 to 30 s to receive and decode the navigation data and to generate a location fix [5]. The bit error rate associated with gathering and decoding data dramatically decreases since the acquired signals can be attenuated by 10 to 20 dB indoors [5] of the nominal -130 dB on a 3 dBi “linearly polarized user receiving antenna⁴ (located near ground) at worst normal orientation” [60].

A simplified AGPS algorithm given in [5] will be presented. This algorithm benefits the more assistance data are known. As the first satellites are tracked, the AGPS algorithm has an estimation of the feasible region where the target AGPS user might be located. Consequently, this feasible region shall shrink until the location has been fully estimated [5].

- (i) Visible satellites and their positions are identified and computed out of the delivered ephemeris and time data.
- (ii) For each visible satellite SV_i , the code phase, τ_i , is estimated.
- (iii) Pseudoranges are calculated for each visible satellite SV_i .
- (iv) Trilaterate the position out of the pseudoranges ρ_i .

Although the AGPS algorithms can be seen as a set of equations with more unknown terms being known. It is straightforward to solve a set of equations when all the terms are known. However, without assistance information which provide additional information to the GPS receiver, it takes more time to obtain (decode) assistance data from the satellite message. The set of equations to be solved is described in detail in appendix section F. Numerous AGPS algorithms exist, some do not require the exact time component and navigation data to be present in the assistance data [6].

⁴3 dBi antenna indicates an antenna with a gain of 3 dB with respect to an isotropic (omni-directional) antenna [17, Chapter 2].

4. Radio Resource Location Protocol

This chapter examines the Radio Resource Location Protocol (RRLP) and provides a description how it works inside of the GSM network. RRLP is a protocol from the family of Location Services (LCS) which were not part of the initial GSM standard. It is a widely used protocol in other cellular networks like UMTS, it was later introduced to the GSM system as well [1]. It was developed by the request of government and rescue organizations to fulfill the wireless enhanced 911 standard in the US, each mobile user had to be located within a range of 300 m in 95% of cases and within 100 m in 67% of cases [25]. The RRLP protocol supports three positioning techniques: E-OTD, UL-TDOA and AGPS [1]. The LCS process can be divided into two separate stages, signal measurements and position estimation from the derived data in the previous stage.

4.1. RRLP Request

RRLP represents the connection/protocol between the Serving Mobile Location Center (SMLC) and the stand-alone handset, in this case the MS [33, Chapter 5]. SMLC is located on the BSC [1]. SMLC' primary function is to manage the overall coordination and scheduling of resources required to perform the localization of the MS. SMLC controls the LMU's as well but since in this work no LMU were available this part can be skipped as well as the description of E-OTD and UL-TDOA localization. Before an attempt is made, of requesting the SMLC to initialize an RRLP request, an SDCCH connection channel has to be initialized to the MS, this connection can not be seen by the MS user¹.

Data sent inside of a protocol are called Protocol Data Unit (PDU). On different layer levels PDUs may take a different shape and size because of the encapsulation or splitting [48] [76]. In RRLP the PDUs sent from the SMLC are not allowed be greater

¹However, it is possible to take into consideration that something is going on the cell phone if the MS' battery is drained faster because an active RF connection drains the battery faster than a passive MS connected to the GSM network.

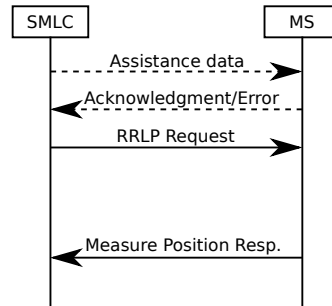


Figure 4.1.: RRLP Request protocol. Assistance data can be sent before the request is made. If the assistance data are sent, their reception acknowledgement is sent as a response from the MS. Image courtesy of [33] and [2].

than 244 bytes² [2]. Although the standard defines that larger packets ought to be split into smaller pieces in lower layers, in this work the rule of 244 bytes has been obeyed due to crashing of the GSM operating software, thus each PDU packet was not greater than 211 bytes. In the RRLP standard terms, the messages are entitled as *components* and fields in the messages (components) are labeled as *information elements* (IE) [2]. The SMLC may send only the request for the position of the MS or it may assist the MS with assistance data required to estimate its position. In case of an AGPS request, assistance data may be ephemeris, almanac, accurate timing data or other assistance data that may help the receiver to estimate its position in a shorter period of time. The RRLP protocol is shown in figure 4.1. Dashed lines represent optionally transmitted data like the assistance data. If assistance data are present, an acknowledgement or error will be produced by the MS after every RRLP assistance packet has arrived. Once the MS obtains the RRLP request, after a period of processing time, the MS will send its response back to the SMLC. The response may contain the position of the MS, an error IE indicating what assistance data are missing or a reason why the MS could not return its position [2] [3]. In the response IE, it is exactly indicated what type of data ought to be sent back to the MS so that it can complete the RRLP request and deliver its position. To save bandwidth space in the communication between the SMLC and MS, it can be proceeded in such a manner that first the RRLP request is sent out for the position estimation. If the MS requires some of the assistance data, it will send back a request for the required assistance data. In the next step the SMLC could send the required assistance data back to the MS and expect an successful response from the MS. However, in this work the author had a different approach, first all the RRLP assistance data were sent and then the RRLP position request. This approach was chosen over the other because in the GSM network operating software (OpenBSC), it was required to access the

²Bytes of 8 bits!

4.1. RRLP REQUEST

database and fetch the response. For the simple reason, since this system is a real time system, waiting for the database to respond may have corrupted the state machine of the GSM network and this would lead to the malfunction and eventually failure of the complete network! The structure of the RRLP messages (requests, assistance data and response) is well defined using Abstract Syntax Notation One (ASN.1) in the technical specifications 3GPP 04.31 and ETSI TS 144 031 [3] [23]. ASN.1 is a conventional notation for denoting the abstract syntax of data used inside of protocols or data structures [72, Chapter 8] [42]. In other words, using ASN.1 it is possible to describe data in an independent representation of programming languages in which a protocol is implemented. In this section, only some of the mostly important and used parts of the RRLP protocol inside of the thesis shall be presented, more details can be found in the technical specifications [3] [23]. It is important to understand the meaning of ASN.1 types before proceeding with an RRLP example. A short summary for the used ASN.1 types elements will be provided parallelly to the RRLP message structure. Structure of the RRLP message encoding for transmission can be seen in listing 4.1. The IE from listing 4.1 are variables that can take certain values. The domain of these values is shown in listing 4.2. The explanation of listings 4.1 and 4.2 will follow in short after the reader has been introduced to the ASN.1 and RRLP message format standard.

A type of **SEQUENCE** is used to reference a “fixed, ordered list of types (some of which may be declared to be optional); each value of the sequence type is an ordered list of values, one from each component type” [43] while the IE (fields) of **OPTIONAL** type do not need to be included and are not mandatory. Variables defined by **CHOICE** are used to reference “a list of distinct types; each value of the choice type is derived from the value of one of the component types” [43], i.e. only one element is selected from the list and the elements of the list are defined according to their variable type. Variables of type **ENUMERATED** are “simple types whose values are given distinct identifiers as part of the type notation” [43]. These simple types are used to distinguish a choice by identifying it with an incremented number from the previous element where the first element is always of value zero. Variables defined by **INTEGER** are of the “simple type with distinguished values which are the positive and negative whole numbers, including zero (as a single value)” [43]. At this point, the meaning of RRLP data elements marked in red, blue and orange from listing 4.1 will be explained. To construct an RRLP PDU sequence (packet) these fields need to be known: *referenceNumber* and *RRLP-Component*. **referenceNumber** specifies the reference number of the request and is used for the purpose of identifying the response from the MS. It can take any value between 0 and 7.

Listing 4.1: Structure of the RRLP message in ASN.1.

```

RRLP-Messages
-- { RRLP-messages }

DEFINITIONS AUTOMATIC TAGS ::=

BEGIN
IMPORTS
    MsrPosition-Req, MsrPosition-Rsp, AssistanceData,
    ProtocolError
FROM
    RRLP-Components -- { RRLP-Components }
;

PDU ::= SEQUENCE {
    referenceNumber INTEGER (0..7),
    component RRLP-Component
}

RRLP-Component ::= CHOICE {
    msrPositionReq MsrPosition-Req,
    msrPositionRsp MsrPosition-Rsp,
    assistanceData AssistanceData,
    assistanceDataAck NULL,
    protocolError ProtocolError,
    ...,
    posCapabilityReq PosCapability-Req,
    posCapabilityRsp PosCapability-Rsp
}
END

```

component is of the type RRLP-Component, which is a CHOICE list. RRLP-Component is used for defining what type of information the packet shall include (assistance data, request, response, error, etc.). For this particular example one chooses **msrPositionReq** that is of type MsrPosition-Req (marked in orange in listing 4.1), with this information the MS knows that its position is requested. MsrPosition-Req is a SEQUENCE, consisting out of one mandatory and few optional IE elements. At this point only the first choice will be explained from listing 4.2, **PositionInstruct**. The rest of the provided choices are used later for the assistance data. The choices are dependent on what type of information is going to be included inside of the RRLP packets. **PositionInstruct** consists of five elements but four are mandatory: *methodType*, *positionMethod*, *measureResponseTime* and *useMultipleSets*. They can be seen in the listing 4.3. These four elements are the most compact representation of an inquiry for the MS to differentiate between all the possible position measurements it could perform, how long it is allowed to measure the position (time duration) and how many position estimations it is allowed to perform. If it is allowed to perform more position estimations then all of them will be included in the returned response.

4.1. RRLP REQUEST

Listing 4.2: Structure of the RRLP request in ASN.1.

```

-- Measurement Position request component

MsrPosition-Req ::= SEQUENCE {
    positionInstruct PositionInstruct,
    referenceAssistData ReferenceAssistData OPTIONAL,
    msrAssistData MsrAssistData OPTIONAL,
    systemInfoAssistData SystemInfoAssistData OPTIONAL,
    gps-AssistData GPS-AssistData OPTIONAL,
    extensionContainer ExtensionContainer OPTIONAL,
    ...,
    -- Release 98 extension element
    rel98-MsrPosition-Req-extension Rel98-MsrPosition-Req-Extension OPTIONAL
}

```

methodType defines where the position estimation calculation will be executed. Does it solely take place on the MS (*msBased*), on the server³ only (*msAssisted*), or one method is preferred over the other depending if the MS can execute the preferred one method (*msBasedPref* or *msAssistedPref*). The uncertainty of the accuracy of the estimated position is only optional if the chosen method is *msAssisted*, otherwise it must be included in the request message. This uncertainty of the accuracy, is an integer number and defines how certain the accuracy of the returned position has to be. It can be calculated using the equation (4.1), where K is the seven bit integer number and r is the accuracy uncertainty in meters [4]. The next three parameters to be defined are the position estimation technique (GPS, E-OTD or one of the two preferred by the MS), the position measurement time and how many measurements the MS has to report back to the SMLC. Since in this thesis the author exploits the AGPS method, GPS is chosen for **PositionMethod**. **MeasureResponseTime** is a three bit integer value that corresponds to the time period the MS is allowed to perform the position estimation. Otherwise, if it takes longer the MS to report back than the specified time period, the MS is allowed to disconnect (close the SDCCH channel) without responding back. This time period can be calculated using the equation given in (4.2), where N is the number of seconds the MS is allowed to perform the position estimation. After the ASN.1 parameters of an RRLP request have been understood, they can be chosen and set according to the position measurement request which the network operator wants to perform. In the next step the RRLP packet shall be encoded from ASN.1 notation to the Packed Encoding Rules (PER) notation. PER is one of the telecommunication standards used for encoding and decoding messages inside of protocols specified in the ASN.1 notation [43].

$$r = 10((1.1)^K - 1) \quad (4.1)$$

$$MeasureResponseTimeBitValue = \frac{\ln(N)}{\ln(2)} \quad (4.2)$$

³With server the BTS location is meant!

Listing 4.3: Structure of the data types from RRLP request in ASN.1.

```

-- Position instructions
PositionInstruct ::= SEQUENCE {
  -- Method type
  methodType MethodType,
  positionMethod PositionMethod,
  measureResponseTime MeasureResponseTime,
  useMultipleSets UseMultipleSets,
  environmentCharacter EnvironmentCharacter OPTIONAL
}

--
MethodType ::= CHOICE {
  msAssisted AccuracyOpt, -- accuracy is optional
  msBased Accuracy, -- accuracy is mandatory
  msBasedPref Accuracy, -- accuracy is mandatory
  msAssistedPref Accuracy -- accuracy is mandatory
}

-- Accuracy of the location estimation
AccuracyOpt ::= SEQUENCE {
  accuracy Accuracy OPTIONAL
}

-- The values of this field are defined in 3GPP TS 03.32 (Uncertainty code)
Accuracy ::= INTEGER (0..127)

-- Position Method
PositionMethod ::= ENUMERATED {
  eotd (0),
  gps (1),
  gpsOrEOTD (2)
}

-- Measurement request response time
MeasureResponseTime ::= INTEGER (0..7)

-- useMultiple Sets, FFS!
UseMultipleSets ::= ENUMERATED {
  multipleSets (0), -- multiple sets are allowed
  oneSet (1) -- sending of multiple is not allowed
}

```

PER is intended for use in circumstances where minimizing the bit length of values that can be represented is of major concern [43]. In other words, it compresses the data in the PDU packets by limiting the bit field length to the minimal number of bits required to represent the lowest and highest variable values. For instance to represent 8 distinct values between 0 and 7 or -1 and 6, at least three bits are required. There are two variations of PER, aligned and nonaligned [43]. In the RRLP protocol the nonaligned type of PER is used. The major difference between aligned and nonaligned PER lies in the fact that some data structures are aligned on octet boundaries in aligned PER, i.e. there are some wasted padding bits which are set to zero if not used according to the size of the packets. Construction of the RRLP request query is straightforward. The chosen values are simply concatenated into a

4.1. RRLP REQUEST

binary string. A simple RRLP request in PER encoded form is shown in figure 4.2. As an illustration, in figure 4.2 the bits have been colored with distinguishable colors with the intention to recognize easier the different variables in ASN.1 notation. The six red zeros define what type of data will be included in the current RRLP packet. This will become obvious by looking at the listing 4.4. On the left side of listing 4.4 one can see the PER notation, whereas on the right side is the ASN.1 notation. After the concatenation it can be converted to the desired notation system (binary, hexadecimal, etc.). In this particular example, the RRLP request, can be represented in hexadecimal notation: **400178F8**. This RRLP message (packet) is transmitted to the MS via the opened SDCCH channel. However, before sending this request the assistance data can be sent. In the following section 4.2 more details of how assistance data are sent shall be provided.

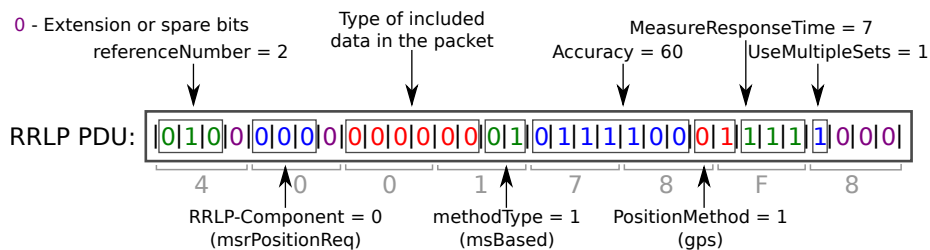


Figure 4.2.: An example of constructing an RRLP request. Image courtesy of [33].

Listing 4.4: Encoding an RRLP request from ASN.1 to PER.

```

RRLP Message:
40 010..... referenceNumber = 2
      component:
      ...0.... Extension of RRLP-Component = 0 :Absent
      ....000. RRLP-Component = 0 :msrPositionReq
            MsrPosition-Req:
            .....0 Extension of MsrPosition-Req = 0 :Absent
01 0..... referenceAssistData = 0 :Absent
      .0..... msrAssistData = 0 :Absent
      ..0..... systemInfoAssistData = 0 :Absent
      ...0..... gps-AssistData = 0 :Absent
      ....0.... extensionContainer = 0 :Absent
            PositionInstruct:
            .....0.. environmentCharacter = 0 :Absent
            MethodType:
            .....01 MethodType = 1 :msBased
            Accuracy:
78 0111100. Accuracy = 60
            PositionMethod:
            .....0 PositionMethod = 1 :gps
F8 1..... MeasureResponseTime:
      .111.... MeasureResponseTime = 7
            UseMultipleSets:
            ....1... UseMultipleSets = 1 :oneSet
            Spare Bits = 000b

```

4.2. RRLP Assistance data

Assistance data are of the most important value when it comes to AGPS response time. If the assistance data are present, the response time may be shorter since the AGPS receiver knows the orbital information of the satellites and the exact time which allows the AGPS to find “immediately” the Doppler frequencies and phase shifts of the visible GPS satellites. In the assistance data packets, same as in the request packet, one has to specify what type of assistance information is included in the RRLP assistance packets. In this thesis, as assistance data, only the almanac, ephemeris, UTC model, ionospheric model and reference location are transmitted to the MS. There are also other assistance data like Differential GPS corrections (DGPS), real time integrity, acquisition assistance and reference time but none of these were available to the author, so they were avoided. The reasons for not including them are of cost and complexity nature.

DGPS corrections give additional accuracy to the GPS positioning, then the accuracy varies between 1 – 3 m [45], however they are rarely used [33, Chapter 4]. Real time integrity is a list of satellites the AGPS receiver is not allowed to use in its position estimation because they have integrity problems [33, Chapter 4]. This helps the AGPS receiver to know why assistance data for satellites with errors are not included in the ephemeris or almanac data as well as to be aware of not using the old ephemeris or almanac cached data instead [33, Chapter 4]. Reference time can be considered as the “most valuable” data for the MS because it provides “exact time” to the AGPS receiver. This helps the AGPS receiver to better estimate the phase shift required to detect GPS signals. This phase shift estimation in return allows the AGPS receiver better integration period τ to detect weaker signals in cities or buildings [33, Chapter 4]. By knowing the reference time, it is straightforward for the AGPS receiver to predict the TLM and HOW starting words of the transmitted GPS packets from the satellites required for synchronization and distance calculation. Reference time data can include the relationship between the GSM network and GPS time, as well as the GSM frame number to help the MS synchronize with the BTS (this was described earlier as time synchronized GSM networks which is required for methods like E-OTD) [33, Chapter 4]. Acquisition assistance data, as the name itself indicates provides the AGPS receiver directly with acquisition data. Acquisition data are the Doppler frequencies and phase shifts precalculated on the BTS for the MS. If this type of data are provided to the AGPS receiver, it does not require to compute and search on its own for Doppler frequencies and phase shifts from the provided reference time [33, Chapter 4]. This would speed up the process of getting a position and would help weak signals to be detected which in return would minimize the reception errors.

4.2. RRLP ASSISTANCE DATA

As listed above, almanac, ephemeris, UTC model, ionospheric model and reference location are transmitted to the MS. Reference location is the location of the BTS and provides the MS with an approximate location which can be used for the position determination in equations given in appendix section F. Furthermore, this limits the search space in time and frequency domain for satellites to lock on. For an illustration, if the AGPS receiver has access to these data it can not expect to see satellites which send signals on the opposite side of the Earth [33, Chapter 4]. With the reference location, one sends also the altitude and uncertainty of the included location data. As a consequence the AGPS receiver can limit the time and frequency search space even further. The ionospheric model includes data for correcting errors introduced by the radio wave transmission through the ionosphere [33, Chapter 4]. Ionosphere data are not satellite dependent thus they are not sent for each satellite separately but only once since they are valid for all satellites [33, Chapter 4]. Ephemeris data in RRLP terminology are named as navigation data. Ephemeris data contain more precise and accurate orbital information of the satellites. If the reader is interested in the exact description of the transmitted assistance data, they can be seen in the appendix, in following tables E.3, E.4, E.1 and E.2.

Listing 4.5: Structure of data types of GPS assistance data in ASN.1.

```
-- Control header of the GPS assistance data
ControlHeader ::= SEQUENCE {
    -- Field type Present information
    referenceTime ReferenceTime OPTIONAL,
    refLocation RefLocation OPTIONAL,
    dgpsCorrections DGPSCorrections OPTIONAL,
    navigationModel NavigationModel OPTIONAL,
    ionosphericModel IonosphericModel OPTIONAL,
    utcModel UTCModel OPTIONAL,
    almanac Almanac OPTIONAL,
    acquisAssist AcquisAssist OPTIONAL,
    realTimeIntegrity SeqOf-BadSatelliteSet OPTIONAL
}
```

The packets are constructed in the same form as RRLP requests however, with a slight difference of selecting other RRLP components and including assistance data. In this particular example, only a packet with the reference location shall be presented, a “complete” 211 bytes PDU packet constructed by author’s software would require at least four pages to be shown. Instead of RRLP request (*msrPositionReq*) in **RRLP-Component** one has to choose assistance data (*assistanceData*) (for the purpose of better understanding in this listening different colors have been used, this particular difference was bolded in listing 4.6). Afterwards, one needs to specify for what positioning technique assistance data will be included, in this case it is GPS assistance data (*gps-AssistData*, marked in red color in listing 4.6). The assistance data will be listed in the order specified by the RRLP standard, listing 4.5: reference time, reference location, DGPS corrections, navigation model, ionospheric model,

UTC model, almanac, acquisition assistance and real time integrity (all marked with blue color in listing 4.6).

Listing 4.6: Encoding reference location from ASN.1 to PER.

```

RRLP Message:
44 010..... referenceNumber = 2
      component(RRLP-Component):
      ...0.... Extension of RRLP-Component = 0 :Absent
      ....010. RRLP-Component = 2 :assistanceData
                AssistanceData:
                .....0 Extension of AssistanceData = 0 :Absent
11 0..... referenceAssistData = 0 :Absent
      .0..... msrAssistData = 0 :Absent
      ..0..... systemInfoAssistData = 0 :Absent
      ...1.... gps-AssistData = 1 :Present
      ....0... moreAssDataToBeSent = 0 :Absent
      .....0.. extensionContainer = 0 :Absent
                GPS-AssistData:
                ControlHeader:
                .....0. referenceTime = 0 :Absent
                .....1. refLocation = 1 :Present
00 0..... dgpsCorrections = 0 :Absent
      .0..... navigationModel = 0 :Absent
      ..0..... ionosphericModel = 0 :Absent
      ...0.... utcModel = 0 :Absent
      ....0... almanac = 0 :Absent
      .....0.. acquisAssist = 0 :Absent
      .....0. realTimeIntegrity = 0 :Absent
                RefLocation:
                threeDLocation(Ext-GeographicalInformation):
                .....0. Ext-GeographicalInformation length(octet) = 13 :13 + 1 = 14
D9 1101.... Ext-GeographicalInformation = 904445940594B200000707000700h
04 00000100
      . (binary data were removed because of length)
00 0000....
      ....0000 Spare Bits = 0000b

```

The assistance data one wants to include in the RRLP packet have to be selected previously. Selecting is straightforward and one simply requires to set the appropriate bit to one (1=included in the packet, 0=not included in the packet). Since in this example only the reference location is included inside the RRLP PDU packet, the *refLocation* bit is set to one. Once the variables have been set, the assistance data have to follow the given order as in listing 4.5. The first selected variable (*referenceTime*) would follow as the first and the last selected variable (*realTimeIntegrity*) would be the last one included in the RRLP assistance PDU packet. The reference location has to be converted into an ellipsoid point with altitude and uncertainty ellipsoid as described in the standard [4] under section 7.3.6. This is shown in figure 4.3 and described in the following paragraphs. The reference location consists of longitude, latitude, altitude, uncertainty semi-major, uncertainty semi-minor, orientation of major axis, uncertainty of altitude and confidence level. **S** is sign of the latitude, it is set to zero if it is North and one if it is South. **D** is the altitude direction,

4.2. RRLP ASSISTANCE DATA

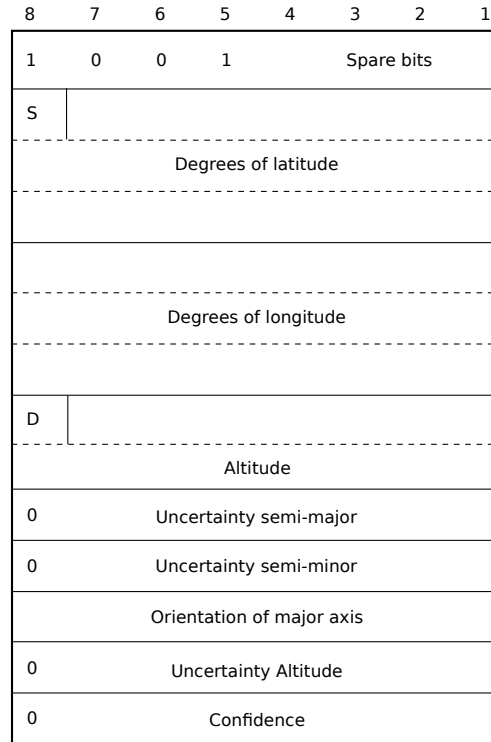


Figure 4.3.: Reference location is a 14 octet stream built according to the given rule as specified in the standard [4] under section 7.3.6. Image courtesy of [4].

it is set to zero if the altitude that follows is height (above mean sea level) and to one if it is depth (below mean sea level). Uncertainty semi-major and uncertainty semi-minor are uncertainties for longitude and latitude. Orientation of major axis is the orientation angle of the BTS between the major axis and North pole in degrees. These terms are depicted in figure 4.4 by showing the World Geodetic System 1984 (WGS84). The latitude, longitude and altitude need to be encoded into a format recognized by the RRLP standard. This is straightforward and can be computed using the equations shown in (4.3), where φ is the latitude and λ is the longitude value in decimal degrees. The longitude is encoded as second compliment binary number [4]. The altitude is encoded as it is, where one bit increments represent one meter increments. The uncertainties for latitude, longitude and altitude were not used since changing these variables did not affect the position estimation process. Orientation of major axis is not used in this work so it was set to zero, its modification did not affect the position estimation. Confidence describes the level by which the sent BTS reference location is known to be correct. The confidence is a 7 bit number but ought to take values between 0 and 100 since it represents a percentage. In this work it was

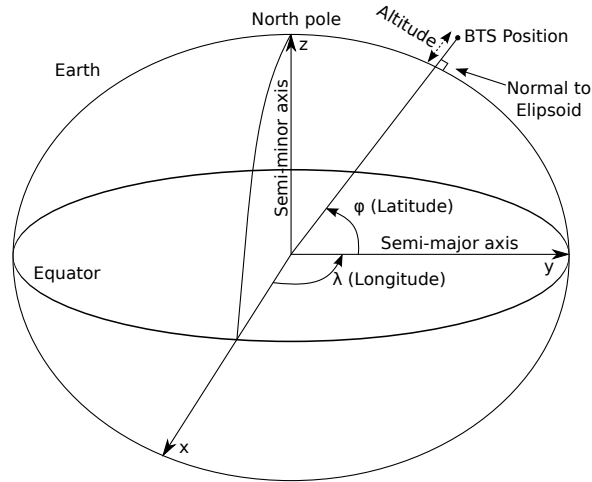


Figure 4.4.: World Geodetic System 1984. Image courtesy of [33].

set to zero, i.e. no information is available about the confidence for our reference location. It did not change the output behaviour from the MS. If the reference location is included in the RRLP assistance packet, it is important to specify the octet length of the reference location. The length of the reference location of an ellipsoid point with altitude and uncertainty ellipsoid is of 14 octets, as it can be seen from figure 4.3 (total number of rows). However, it is written as 13 octets in the RRLP PDU packet. Generally as a rule, it is always specified one number less since at least one octet has to be included in the reference location. There are other reference location standards inside of the RRLP protocol. Using this mechanism, the RRLP protocol knows where the data ends and where new data may start in case other assistance data follow. Which standard for defining the reference location was used, is included as well. It is defined by the first four bits of the reference location, in this case it is 1001, as it can be seen from figure 4.3 in first row. This is an additional mechanism for error control, if the numbers do not match when the transmitted binary data have been decoded then the MS can return an error and ask for retransmission of the data. Information related to the reference location in the example listing 4.6 are marked with orange color. Once the assistance data have been transmitted to the MS, it will respond back with an acknowledgement or error. This response depends on the MS, if the data were correctly received and parsed. The acknowledgement is going to have the same reference number as the assistance packet which is not always the case for the error. In the next section, an RRLP response from the MS will be described and analysed.

$$Lat = \frac{2^{23}}{90} \cdot |\varphi| \iff \text{Latitude} \quad Long = \frac{2^{24}}{360} \cdot \lambda \iff \text{Longitude} \quad (4.3)$$

4.3. RRLP RESPONSE

4.3. RRLP Response

The RRLP response is constructed by the MS in the same manner as the RRLP request and assistance data by following ASN.1 rules precisely specified in the RRLP standard. The response may include the estimated position, data for estimating the position on the BTS (if MS-assisted method was chosen) or errors indicating that some of the assistance data are missing. Missing data and errors are specified inside of the RRLP response. The response data is PER encoded and requires to be decoded into the ASN.1 notation. For illustration, in listing 4.7, an erroneous RRLP response is shown. To distinguish successful from erroneous responses, two different bits are used in the response message, *locationInfo* and *locationError*. The location error bit is set if the location of the MS is not present within the message (marked in red). The MS may include more information on the error if it can identify the error (newer models support this). In case the MS does support more information, an optional IE *additionalAssistanceData* bit will be set (marked in cyan).

Listing 4.7: Decoding an error RRLP response from Samsung Galaxy S3.

```

RRLP Message:
42 010.....  referenceNumber = 2
      component (RRLP-Component):
      ...0....  Extension of RRLP-Component = 0 :Absent
      ....001.  RRLP-Component = 1 :msrPositionRsp
                MsrPosition-Rsp:
                .....0  Extension of MsrPosition-Rsp = 0 :Absent
04 0.....    multipleSets = 0 :Absent
      .0.....    referenceIdentity = 0 :Absent
      ..0.....    otd-MeasureInfo = 0 :Absent
      ...0.....    locationInfo = 0 :Absent
      ....0...    gps-MeasureInfo = 0 :Absent
      .....1..    locationError = 1 :Present
      .....0.    extensionContainer = 0 :Absent
                LocationError:
                .....0  Extension of LocationError = 0 :Absent
99 1.....    additionalAssistanceData = 1 :Present
                LocErrorReason:
                .0.....    Extension of LocErrorReason = 0 :Absent
                ..0110..    LocErrorReason = 6 :gpsAssDataMissing
                AdditionalAssistanceData:
                .....0.    Extension of AdditionalAssistanceData = 0 :Absent
                .....1    gpsAssistanceData = 1 :Present
0B 0.....    extensionContainer = 0 :Absent
                GPSAssistanceData:
                .000101.    GPSAssistanceData length(octet) = 5 :5 + 1 = 6
                .....1    GPSAssistanceData = E80000000000h
                .    (binary data were removed because of length)
00 0000000.
      .....0  Spare Bits = 0b

```

In the case that more information of the error is known, it will be followed with a more detailed explanation of the error. For this particular example, not sufficient assistance data were present, *LocErrorReason* (marked with blue color). There are other possible location error reasons as well. All location errors are listed in listing 4.8 (self-explanatory). Depending on the MS model, it can be even further specified what kind of GPS assistance data were missing. This is well specified by setting the IE *gpsAssistanceData* bit, as shown in listing 4.7 (marked with magenta color). If this bit was set, the length of the IE for requested missing assistance data will be exactly specified as well as what assistance data are missing (marked in orange color).

Listing 4.8: Possible location error reasons.

```
LocErrorReason ::= ENUMERATED {
  unDefined (0),
  notEnoughBTSS (1),
  notEnoughSats (2),
  eotdLocCalAssDataMissing (3),
  eotdAssDataMissing (4),
  gpsLocCalAssDataMissing (5),
  gpsAssDataMissing (6),
  methodNotSupported (7),
  notProcessed (8),
  refBTSForGPSNotServingBTS (9),
  refBTSForEOTDNotServingBTS (10),
  notEnoughGANSSSats (11),
  ganssAssDataMissing (12),
  refBTSForGANSSNotServingBTS (13)
}
```

8	7	6	5	4	3	2	1
A	B	C	D	E	F	G	H
0	0	0	0	0	K	J	I

Figure 4.5.: Requested AGPS assistance data to be delivered. Image courtesy of [3].

The first two bytes of the IE *GPSAssistanceData* contain the information for requested assistance data (marked in orange color). Information of missing assistance data can be seen in figure 4.5 [3]. If one of these bits from A to K is set, the MS requires more assistance data. The meaning of the bits in figure 4.5 are explained in table 4.1. In this particular example, the first two bytes are: **E800**, indicating acquisition assistance, reference time, reference location and the navigation model are requested by the MS as assistance data.

The next RRLP response example, shown in listing 4.9, is a response with a successfully estimated position! In the second byte, two mutually exclusive IE contain the information if the response was successful and contains the location information,

4.3. RRLP RESPONSE

locationInfo bit must be set and *locationError* must be zero (both marked in red color in listing 4.9).

Listing 4.9: Decoding a successful RRLP response from iPhone 3GS.

```

RRLP Message:
42 010.....  referenceNumber = 2
      component (RRLP-Component):
      ...0....  Extension of RRLP-Component = 0 :Absent
      ....001.  RRLP-Component = 1 :msrPositionRsp
      MsrPosition-Rsp:
      .....0   Extension of MsrPosition-Rsp = 0 :Absent
11 0.....    multipleSets = 0 :Absent
      .0.....  referenceIdentity = 0 :Absent
      ..0..... otd-MeasureInfo = 0 :Absent
      ...1....  locationInfo = 1 :Present
      ....0...  gps-MeasureInfo = 0 :Absent
      .....0.. locationError = 0 :Absent
      .....0.  extensionContainer = 0 :Absent
      LocationInfo:
      .....1   gpsTOW = 1 :Present
FF 11111111  refFrame = 65535
FF 11111111
61 01100001  gpsTOW = 6399000
A4 10100100
18 00011000

      FixType:
B6 1.....    FixType = 1 :threeDFix
      posEstimate(Ext-GeographicalInformation):
      .01101..  Ext-GeographicalInformation length(octet) = 13 :13 + 1 = 14
      .....10  Ext-GeographicalInformation = 904445840594A6016316114F1D44h
      .        (binary data were removed because of length)
10 000100..
      .....00  Spare Bits = 00b

```

If the IE *locationInfo* bit is set and *locationError* bit is zero, then the position of the MS is included in the response. Aside from the position information, the time when the position measurement was performed is included as well however, only the least significant bits in the range of milliseconds. The most significant bits ought to be derived by the SMLC using the GSM frame number, included in the IE *refFrame*. In this thesis this is not known and used. *refFrame* contains the GSM frame number as observed by the MS [3]. The time of milliseconds can be found in the IE *gpsTOW*. The included time is not in UTC format and would require additional conversions. The elements of *locationInfo* can be seen in listing 4.10. The IE *fixType* contains the information if the performed measurement was 2D or 3D GPS fix. An 2D fix is when only 3 GPS satellites are used to estimate the position, the GPS receiver assumes it is on the earth surface located with the most recent known altitude from cache [21]. 3D fix is a sign of at least 4 GPS satellites have been used to perform the position estimation [21]. The position information is extracted with the inverse process as it was specified for the reference location, the reading is in the same format as earlier in figure 4.3. Equations to return from the PER bit format to decimal degrees are

given in equation (4.4). In the next chapter, more details are revealed how it was implemented.

Table 4.1.: Requested AGPS assistance data bit meaning. Table courtesy of [3].

Bit (IE)	Description	Bit (IE)	Description
<i>A</i>	Acquisition assistance requested	<i>G</i>	UTC model requested
<i>B</i>	Reference time requested	<i>H</i>	Almanac data requested
<i>C</i>	Reference location requested	<i>I</i>	Real time integrity requested
<i>D</i>	DGPS corrections requested	<i>J</i>	Ephemeris extension requested
<i>E</i>	Navigation model requested	<i>K</i>	Ephemeris extension check requested
<i>F</i>	Ionospheric model requested		

Listing 4.10: Structure of data types of location info data in ASN.1.

```
-- Location information IE
LocationInfo ::= SEQUENCE {
  refFrame INTEGER (0..65535), -- Reference Frame number
  -- If refFrame is within (42432..65535), it shall be ignored by the receiver
  -- in that case the MS should provide GPS TOW if available
  gpsTOW INTEGER (0..14399999) OPTIONAL, -- GPS TOW
  fixType FixType,
  -- Note that applicable range for refFrame is 0 - 42431
  -- Possible shapes carried in posEstimate are
  -- ellipsoid point, ellipsoid point with uncertainty circle,
  -- ellipsoid point with uncertainty ellipse,
  -- ellipsoid point with altitude and uncertainty ellipsoid
  posEstimate Ext-GeographicalInformation
}

FixType ::= INTEGER {
  twoDFix (0),
  threeDFix (1)
} (0..1)
```

$$\varphi = \frac{90}{2^{23}} \cdot Lat \quad \Leftarrow \quad \text{Latitude in decimal degrees} \quad (4.4)$$

$$\lambda = \frac{360}{2^{24}} \cdot Long \quad \Leftarrow \quad \text{Longitude in decimal degrees}$$

5. Implementation

The aim of this chapter is to give the reader a review of the deployed hardware, testbed setup and the implemented software. The main ideas of author's approach how to attack the problem are discussed in this chapter as well as ways to deploy the RRLP protocol to obtain positions estimated on the smart phones. The testbed setup can be divided into two sections because two different hardware platforms were available to investigate. The first testbed setup was based on a platform without dedicated GSM hardware, whereas the second was based on dedicated GSM hardware. The second testbed setup can further be divided into two implementation stages. The first stage consists of the development of the application that generates RRLP assistance data. The second stage consists of modifying the existing open source GSM software by implementing the procedures for creating a data channel between the BTS and the MS. This channel was deployed for the transmission of assistance data to the MS and for obtaining the response from the MS.

5.1. Undedicated GSM hardware testbed setup

Traditionally all radio communication systems are hard wired and the hardware is developed to do only one dedicated function. However, the author wanted to investigate if it is possible to obtain positions from smart phones without using expensive dedicated GSM hardware. On the other hand, instead of the dedicated hardware a Software Defined Radio (SDR) platform was used to emulate the GSM network. SDR is a hardware platform that enables the development and test of different radio communication systems as well as protocols using software that modifies the function of the hardware. In other words, the hardware may perform different functions in the range of its specified limitations. For an illustration those limitations can include the frequency range in which the SDR can transmit and receive radio waves; or the speed of sampling a radio wave signal. The basic idea is to use the fast performance of the CPU inside the computer to do the signal processing while the SDR hardware itself performs only the physical radio communication like emitting and receiving radio

waves. Alternatively to the dedicated hardware, SDRs are cheaper and can be programmed to perform various functions e.g. an FM radio, a GPS receiver, GSM and etc. All of the stated “emulated devices” employ different modulation/demodulation techniques and frequency spectrums [9] [69].

5.1.1. Universal Software Radio Peripheral

The exploited SDR platform in this thesis was the Universal Software Radio Peripheral (USRP) by Ettus Research. Particularly for USRP, there was an existing implementation of GSM and RRLP software.

5.1.2. OpenBTS and first tests

The GSM network software employed on USRP was OpenBTS, a Linux application written in C++ utilising the SDR platform to provide a GSM air interface [69]. Initially, the system was tested with 2G cell phones (Nokia 3310 and Siemens M50) and its correctness was verified. While the system was tested with smart phones, strange behaviour had been discovered. Occasionally the smart phones (*iPhones 3GS* and 4) did not detect the created GSM network with OpenBTS, i.e. the network could not be found in the search menu where all GSM networks in range are shown. The reason for this strange phenomenon may be found in the unstable operation of the cheap clock oscillator. However, the clock’s instability issue can not be confirmed by the author due to the missing hardware equipment to measure the actual frequency and its deviation. Nevertheless, these findings were consistent with the results of the OpenBTS developers with similar clock issues¹. As previously the author stated in the GSM chapter, the clock oscillator for the BTS is not allowed to deviate more than ± 5 ppm (parts per million). This finding, that older cell phones like Nokia 3310 and Siemens M50 have rather less problems connecting to the GSM network than the newer cell phones suggest that newer generation cell phones are not robust and resistant to the timing deviation issues.

The deployed RRLP module for OpenBTS was written by Kurtis Heimerl in two different programming languages, Erlang and Common Gateway Interface (CGI)².

¹GSM not detecting station, USRP1, FA-SY1, WBX, DBS <http://www.ruby-forum.com/topic/1876696> as well as <http://gnuradio.org/redmine/attachments/219/fordummies.pdf>

²Kurtis Heimerl’s code can be found on <https://github.com/ttsou/RRLP>.

5.2. DEDICATED GSM HARDWARE TESTBED SETUP

The new GSM system configuration with the RRLP module in OpenBTS was examined. The first observation and finding was that not a single smart phone could connect to the GSM network. The log files contained information why the smart phones could not connect to the GSM network. Time-outs triggered by OpenBTS were the main reason why the smart phones could not enter the GSM network. The time-outs were triggered while the smart phones tried to get a position fix after the RRLP request was delivered. This result may be explained by analysing at what stage in the protocol the RRLP requests were sent. The RRLP request was immediately sent after the paging request had been obtained by the MS. Contrary to smart phones, the 2G phones continued their normal operation after the RRLP request have been received. This was due to the fact that 2G phones did not understand the RRLP request and therefore they skipped it. This evidence justifies the time-out behaviour. When the option, for sending RRLP requests while the paging is in progress, was disabled, this problem was solved! Next step was to manually send the RRLP requests from the OpenBTS terminal to smart phones. Contrary to expectations, the smart phones occasionally received the RRLP request as an SMS message and did not provide any response. In the case, where the smart phones did not receive the RRLP request as an SMS message, there was still no response sent back by the smart phones. One of the consequences of such behaviour was that the RRLP could not be tested inside of this setup because the system itself was unstable and had an unpredictable behaviour. The conducted tests with OpenBTS thus lead to a logical decision to employ dedicated BTS hardware with a tested and calibrated clock oscillator only for GSM. On the other hand, the Erlang RRLP module was a starting point to understand the RRLP protocol. The generated assistance data packets by the RRLP module were used for comparison and as a template to build the author's RRLP assistance data generator.

5.2. Dedicated GSM hardware testbed setup

The hardware components will be introduced according to their importance in building an operational and functional GSM network with GPS localization capabilities. Firstly the nanoBTS shall be introduced since it is the main hardware component used for building a basic GSM network infrastructure. Then a short insight into the used GPS receiver shall be given followed by the testbed setup configuration with connection scheme.

5.2.1. GSM BTS - nanoBTS

In recent years, there has been an increasing interest in the deployment of private cellular networks in remote areas which led to the development of diverse “low-cost” GSM hardware solutions. According to ip.access³, the manufacturer of nanoBTS, their hardware product is deployed for coverage of “hard-to-reach places, in-buildings, remote areas, marine, aviation and public spaces”. Our University GSM network consists of three nanoBTS stations. The deployed nanoBTS in author’s thesis works in the 1800 MHz frequency range, for which the University of Freiburg had obtained a licence from the Federal Network Agency (German: *Bundesnetzagentur*). The transmission frequencies range between 1805-1880 MHz, with 200 kHz channel spacing and the maximum output power of +23 dBm (≈ 200 mW), whereas the receiving frequencies lie in the range between 1710-1785 MHz [40]. The Ethernet cable with power supply is required to power the BTS and to connect its operating software (OpenBSC). The other ports are used to extend the GSM network performance operation but are not relevant to the work presented in this thesis.



Figure 5.1.: nanoBTS with its antennas.

To determine the working state of the nanoBTS, an indicator status LED is located on the left side of the five ports area. After the nanoBTS is connected to the power supply with the Ethernet cable, it changes its color and blink speed according to the state it is in. The states are given in appendix and can be seen in the table given in B.1 [41]. One of the key limitations of gathering more technical data and the critical aspect of this description lies in the fact that nanoBTS is not an open source hardware platform and ip.access does not offer more details on their product. The lack of systematic hardware analysis can be seen as a major drawback of working

³<http://www.ipaccess.com>

5.2. DEDICATED GSM HARDWARE TESTBED SETUP

with the nanoBTS hardware. However, the given technical data are sufficient for reproducing and conducting the RRLP tests described in this thesis.

5.2.2. GPS Receiver - NL-402U

The Navilock NL-402U GPS receiver is based on the u-blox UBX-G5000 single chipset and is a one chip solution [80]. Receiver tracking sensitivity is -160 dBm (10^{-16} mW). The GPS receiver was used as an indicator of whether there is any GPS signal in the tested room.

5.2.3. Testbed setup configuration

In Figure 5.2, the junction points are label according to the used configuration setting. Author's test system operated on the ARFCN 877 channel. ARFCN 877 corresponds to the uplink frequency of 1,783.2 MHz and a downlink frequency of 1,878.2 MHz, where the uplink direction represents the direction from the nanoBTS to the MS and downlink the opposite direction. The decision to use the ARFCN 877 channel was based on the fact that our University has the licence for the frequency spectrum where the specified channel lies. Particularly this channel has been selected because it was free, measurements were carried out with a spectrum analyser built on the USRP hardware. The set up, installation and configuration are discussed in appendix A.

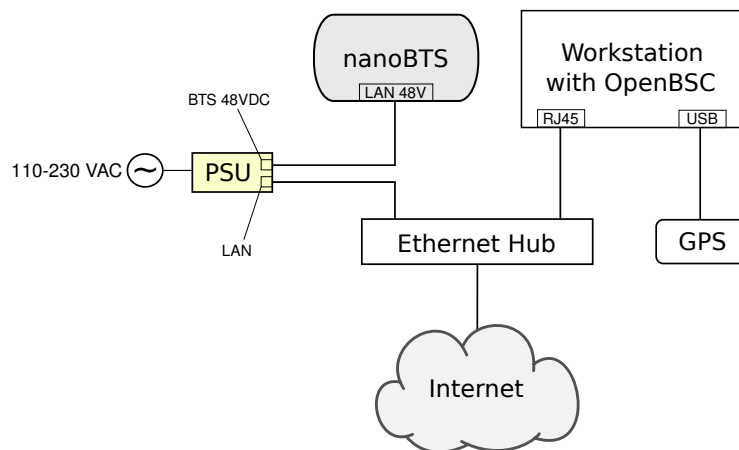


Figure 5.2.: Cable configuration diagram.

5.2.4. OpenBSC and its original RRLP implementation

OpenBSC is an open source implementation of a GSM network software by Harald Welte et al. It was developed for experimentation and security research of the GSM networks [66]. OpenBSC is “implementing the minimal necessary parts to build a small, self-contained GSM network” [65]. This self-contained GSM network consists of the following functional components: Base Station Controller (BSC), Mobile Switching Center (MSC), Home Location Register (HLR), Authentication Center (AUC), Visitor Location Register (VLR) and Equipment Identity Register (EIR). OpenBSC was developed in C and operates on Linux. OpenBSC binds to the BTS using the Abis or Abis/IP interface. At the moment OpenBSC supports Voice calls, SMS, handovers, support for multiple BTS and other features not of interest to this work. OpenBSC has an implemented module for transmitting RRLP requests, however without assistance data. This module was tested but without successfully obtaining a position from the MS. While the tests have been performed, no results were obtained due to a watchdog time-out produced by OpenBSC. In order to send an RRLP request in OpenBSC, a silent SMS would be sent to the cell phone followed by the RRLP request. Silent SMS is the equivalent of a normal SMS but without notifying the user of its reception [74]. When the silent SMS is received on the cell phone, the message content is not displayed to the user nor is it stored in the SMS inbox. In other words, its arrival remains completely unknown to the user to whom it was sent [74]. An acknowledgement is sent back to the GSM network operator that the MS received the silent SMS. The watchdog timer in OpenBSC has been triggered because the acknowledgement was not received within a certain time limit while the MS was attempting to obtain a GPS position. To overcome this problem another approach had to be taken by the author to send RRLP assistance data with position requests. This shall be further analysed and explained in detail in the following sections.

5.2.5. RRLP assistance data generator

At this point of the thesis, two different RRLP implementations on two different hardware platforms have been examined without successfully obtaining a GPS localization. The next step in the attempt to obtain GPS positions from the MS was to gain better understanding of the RRLP protocol and RRLP assistance data. The RRLP data generated by Heimerl’s application did not produce valid assistance data. In order to publish the RRLP assistance data generator as open source to be extended further or ported to another programming language, it was required to be written in a programming language understandable to a wider audience. Since the RRLP data

5.2. DEDICATED GSM HARDWARE TESTBED SETUP

generator application is independent of the GSM operating software, it was sound to write the RRLP assistance data generator in C++. Another reason why C++ was taken is due to the fact that OpenBSC was written in C and OpenBTS in C++. The main tasks here can be split up down to: verification of assistance data existence in the download folder and its age, download of the assistance data, conversion of the data, verification of assistance data correctness, construction of RRLP packets according to the ASN.1 standard, its conversion to PER and lastly saving in the hexadecimal form in a text file. The hexadecimal form was chosen because immediately the generated assistance data could be compared and verified online⁴.

In the almanac and ephemeris files, downloaded from the Navigation Center of the US Coast Guard and Trimble, assistance data for 32 different GPS satellites are present. Contrary to expectations, Heimerl's code produced RRLP assistance data valid for only one satellite. The rest of the assistance data were duplicates of the assistance data for one satellite. At this stage, it was important to have a fully working RRLP assistance data generator. This generator would be subsequently used to examine the RRLP protocol once OpenBSC was modified to open a data channel for transmitting the assistance data with the RRLP position request. Heimerl's code, written in Erlang, had to be fully understood to build a working replica RRLP assistance data generator. It was used as a template with the specified RRLP conversion standard itself. The downloaded assistance data were in formats known as Receiver Independent Exchange format (RINEX) for ephemeris data and Yuma for almanac data. RINEX is a format to exchange raw satellite navigation data from GPS receivers with an ability to output the same raw data. Although almanac data can be in RINEX form as well, the almanac data found online were in the Yuma format. The files with assistance data had to be first properly parsed and then converted into the format specified in the standard by ETSI TS 144 031 [23]. The data included in the ephemeris file also contained the UTC model, and the ionospheric model. Other operational data were included in the configuration file like the reference location data. More details on the operational data can be found in the software appendix configuration section A.3. Once all data have been successfully parsed and converted, they had to be verified to be in the specified range (domain) as in the standard. Afterwards, the converted and verified assistance data were combined into binary series of data according to the RRLP standard as described in chapter 4. If the assistance data packet size in binary format was not divisible by eight then additional padding zeros were added until this condition was satisfied. Better comprehension of the RRLP assistance data generator can be gained by looking at the flowchart in figure 5.3.

⁴RRLP message parser <http://www.3gpp-message-analyser.com/decoder/misc.htm>.

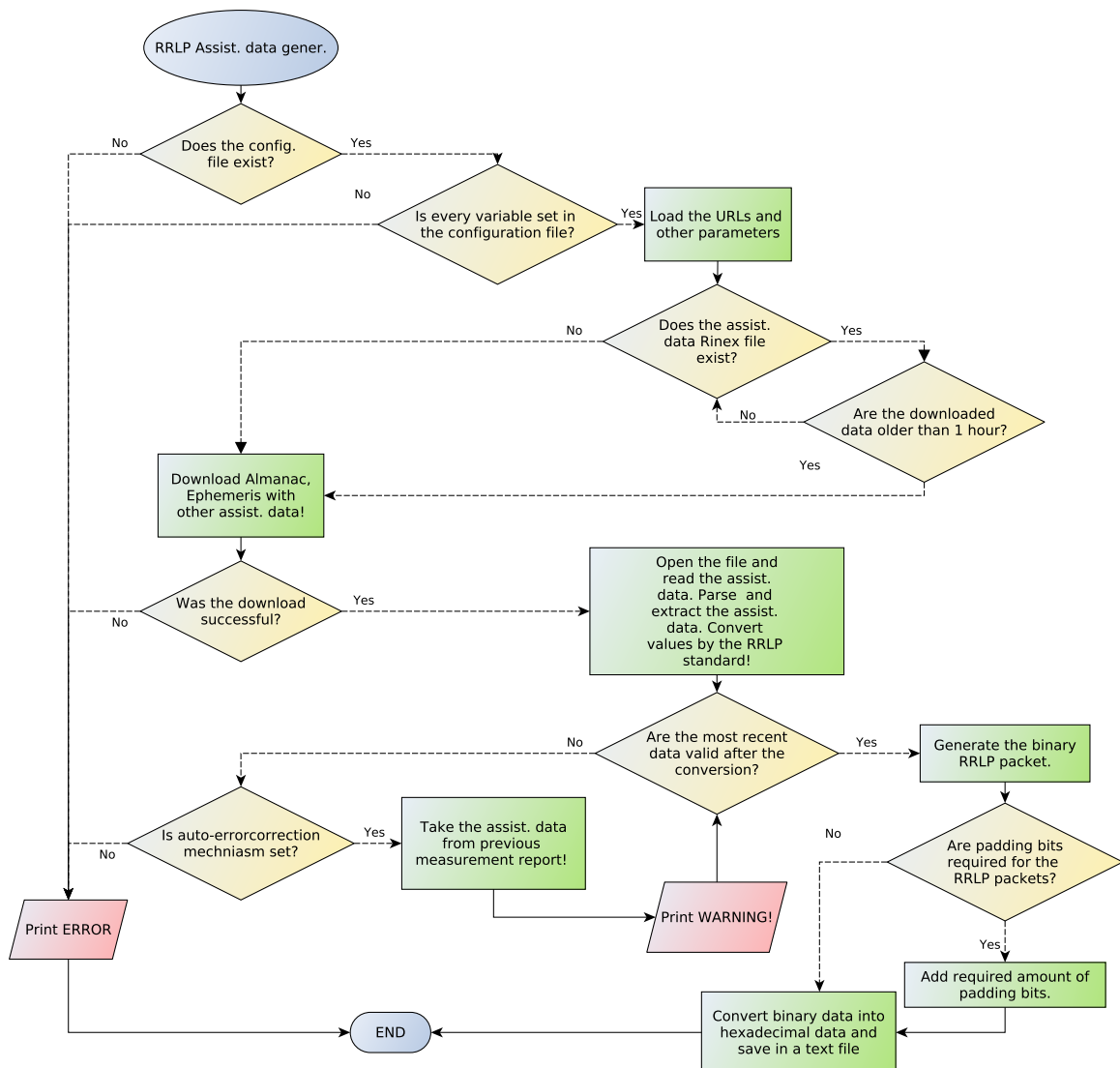


Figure 5.3.: Flowchart for the RRLP assistance data generator.

Since the ephemeris data refresh every two hours, the most recent generated data are appended at the end of the ephemeris file for one day⁵. It was common that the ephemeris assistance data contained errors which had to be detected in the data range verification step. To avoid disruption in operation of the developed application, once data out of range were detected they are immediately substituted with data for the same satellite but with two hours older ephemeris data. If the AGPS receiver in the MS uses the ephemeris data from that particular satellite then the distance estimation

⁵This is performed by Trimble, whose ephemeris data were used.

5.2. DEDICATED GSM HARDWARE TESTBED SETUP

is affected and may contain errors! This problem is well known and confirmed by different studies [35] [44]. A solution to this problem is proposed in the future work section 6.3. Once the assistance data have been generated, converted to hexadecimal notation and saved to a text file, they can be used by OpenBSC to be sent to the MS. The decision to save the data to a text file, instead of storing to the database, was made because OpenBSC is a real-time system. If the database does not respond OpenBSC' real-time functionality might be lost and the system will malfunction. Since the text file is small and accessed only when an RRLP request is queued, it is faster than initializing the database driver, opening a socket connection to the database, making request queries to the database, obtaining the result and closing the socket connection. At this point, the assistance data are ready to be opened by OpenBSC and sent to the MS.

5.2.6. Creating a data channel in OpenBSC

To avoid the watchdog time-out triggered by OpenBSC when the RRLP requests have been sent originally, the solution was to create a dedicated data channel. The previously implemented approach by OpenBSC developers was to open a data channel with a silent SMS and then to send the RRLP request without any assistance data. However, this triggered always a time-out. The new approach, implemented by the author, can be split up into four steps: adding a command to launch an RRLP request; open a dedicated data channel (SDCCH) between the BTS and MS; open the text file generated with the RRLP assistance data generator in the previous step; send the RRLP packets; wait for the response from the MS and close the data channel. This will be explained in a sequential order of execution.

The GSM network operator can connect to the Virtual Teletype (VTY) interface of OpenBSC using Telnet on port 4242 to issue commands and administer the GSM network. In order to send an RRLP requests from the VTY command interface, RRLP execution command had to be integrated. The function that integrates that command is named **subscriber_silent_rrlp_start()** and is in the file *vtty_interface_layer3.c*. Four different commands can be executed by the operator from the VTY interface: RRLP request (send a position request without any assistance data); RRLP request with almanac data (send a position request with almanac as assistance data); RRLP request with ephemeris and other assistance data (send a position request with all available assistance data); or stop RRLP request (to stop the current execution of the RRLP request). Any of the first three commands, will call the function **gsm_rrlp_operation_start()** in the file *silent_call.c*. Afterwards, the initializing of an SDCCH channel will start. Theoretically what takes place in background of this process, i.e. function **gsm_rrlp_operation_start()**, was

already discussed in 2.3. For the particular situation, when the GSM operator can not wait for the RRLP response or wants to stop the execution of the RRLP request, the GSM operator can issue a command in the VTY interface to stop it, which will call the function `gsm_rrlp_operation_stop()` in the file `silent_call.c`. If the channel was successfully opened, the function `send_rrlp_req()` will be executed which is responsible for opening the text file with parsed assistance data content, copying the content into the RRLP data structure and transmit it to the MS. The data structure is shown in 5.1. The structure contains the length of the data packets, `lengthOfPacket` as well as the content of the packets, `packetContent` which never exceeds more than 211 bytes.

Listing 5.1: Data structure containing the RRLP assistance data.

```
struct rrlpPacket {
    int lengthOfPacket;
    uint8_u packetContent[211];
}
```

After the RRLP assistance data have been successfully loaded into the RRLP data structure, they are transmitted to the MS. In listing 5.2 the function required to send assistance data is shown. The first arguments passed to the function provides the pointer to the opened SDCCH data channel connection. It is followed by the Application Protocol Data Unit identifier set to 0x00. The third argument is the size of the transmitted packet. The last passed argument to the function is the starting address of the location where the packet content is located. Since there is more than one RRLP assistance packet to be transmitted, this function gets executed a few times in a loop defined by the packet counter variable `packNum`. The responses sent back by the MS are obtained by the BTS and stored in the HLR database table `ApduBlobs` in PER notation. A small utility was programmed to connect to the database, display the acquired data and the decoded position if it is contained in the RRLP response.

Listing 5.2: Function required to transmit assistance data.

```
int response = gsm48_send_rr_app_info(conn, 0x00, ↵
    ↵ AlmanacPackets[packNum].lengthOfPacket, AlmanacPacket[packNum].packetContent)
```


6. Results

In this chapter performed tests will be explained and how the results were obtained. Analysis of the results will be discussed as well as the geographical dislocation error will be shown. Smart phones used for the test are going to be introduced, followed by showing the location where the tests have been performed. After the results have been provided, a critical analysis demonstrates all the obstacles that may have emerged while the tests have been performed. The critical analysis may provide the answer why some results may be biased and it is a vital part of this thesis. It gives an additional insight into the complete operation of the built localization system in this thesis.

6.1. Tests & Results

Although the main goal was to develop only a working positioning system, tests have been performed mostly inside of a closed building, inside of three different rooms in the mathematics computer pool of the University of Freiburg (German: *Mathematik Rechenzentrum*) and outside of the computer pool.

6.1.1. Smart phones tested

The requirement for a cell phone to be considered for testing was its classification as a smart phone (having at least an AGPS receiver) and its availability (person's good will to share their smart phone for the purpose of testing). The following eleven models, shown in table 6.1 have satisfied the criterion and have been used to perform the tests.

6.1.2. Performed tests

As stated in section 6.1, tests have been performed outside and inside of the computer pool building. Three different test modes were tried out, first only an RRLP request

Table 6.1.: Smart phone models used for testing in the thesis.

No.	Cell phone	Manufacturer & Country	No.	Cell phone	Manufacturer & Country
1	<i>Defy</i>	Motorola, USA	7	<i>Galaxy Nexus i9250</i>	Samsung, South Korea
2	<i>iPhone 4</i>	Apple, USA	8	<i>E71</i>	Nokia, Finland
3	<i>iPhone 3GS</i>	Apple, USA	9	<i>N95</i>	Nokia, Finland
4	<i>G1</i>	Google, USA	10	<i>Desire S</i>	HTC, Taiwan
5	<i>Galaxy S2</i>	Samsung, South Korea	11	<i>Blade</i>	ZTE, P.R. of China
6	<i>Galaxy S3</i>	Samsung, South Korea			

without any assistance data was sent. The second test included an RRLP request with almanac data only. The last test was an RRLP request with almanac, ephemeris, UTC model, ionospheric model and reference location data. The stated requests have been sent in an reverse order, to observe if the smart phones can actually exploit and benefit from the assistance data. The RRLP requests were manually sent from the Telnet interface from OpenBSC. Results delivered by the MS were stored in the database and the following analysis is based on the results.

The first tests took place on the ground-floor of the computer pool, in figure 6.1 depicted with a green dot as Test room 1. The smart phones were horizontally lying on the table 50cm away from the window in the first test and in the second test vertically parallel to the window. The results of two smart phones, *iPhone 3GS* and *G1*, showed that their position did not make any influence on the test results. The delivered position coordinates in two performed tests were in range of the green rectangle labeled with a white one in the left corner. Although returned positions were points, rectangles had been used to depict the regions where the positions would appear for measured room test points. Two repeated measurements would yield a position in these rectangular areas. This might be considered as an precision “problem” of the GPS positioning system. According to Google Earth, Test room 1 has the following coordinates: latitude 48°0'13.21"N and longitude 7°50'53.53"E. The results were 5-20 m away from the real position according to Google Earth. The *iPhone 3GS* sent only a response when assistance data have been delivered (almanac or almanac with ephemeris, UTC model, ionospheric model and reference location data), whereas the *G1* only when the almanac data were provided as well as a simple RRLP request without assistance data. It is apparent from these facts that the *iPhone 3GS* had used the assistance data to estimate its position. Otherwise the *iPhone 3GS* would send its position back when only an RRLP position request was sent. Interestingly, the *G1* did not provide any results when the ephemeris data have been delivered. These findings suggest that the AGPS receiver in *G1* may suffer from not knowing how to employ the ephemeris data. This might be due to the fact



Figure 6.1.: Test rooms as well as the results delivered by the smart phones. Image courtesy of Google Maps.

that *G1* is one of the first “real” smart phones on the market. Afterwards, evidence for smart phones not being able to utilise any of the assistance data, will be provided for other smart phones older than the *G1*.

The second tests took place in Test room 2. Test room 2 is located in the basement of the computer pool, with the following coordinates: latitude $48^{\circ}0'13.12''\text{N}$ and longitude $7^{\circ}50'53.50''\text{E}$. The fact that the tests took place in the basement adds an additional obstacle to the AGPS receiver in the MS, the signal strengths of GPS signals are even weaker. The GPS signal strength was measured with an external GPS receiver connected to the computer and by its acquisition time it could be easily observed that the time required to track the satellites was much longer than in Test room 1. The results from Test room 2 are most valuable because they have provided additional evidence that even without line of sight it is possible to receive weak GPS signals and approximate the position. The line of sight was blocked by the surrounding buildings. The obtained results from Test room 2 can be seen in

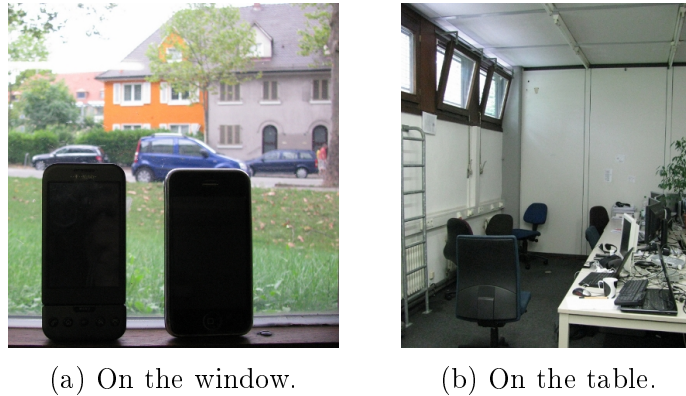


Figure 6.2.: Test room 2 with the positions of the smart phones.

figure 6.1, two red rectangles labeled with a two in their left upper corner. It is somewhat surprising that different phone models delivered different positions (two different rectangle ranges) at different times of the day. This finding suggests that not an equal number of satellites may have been visible at the different time points when the tests were performed. By observing the results in figure 6.1, it is straightforward to see the deviations of the estimated positions, by comparing the tests performed in Test room 1 and 2. Albeit these two test rooms are geographically not far away from each other, the major difference is in their altitude and GPS signal strength reception. The estimated position deviation from the real position was dependent on GPS signal reception quality and satellites visibility. The majority of the performed tests in this work were performed in this room. Smart phones have been tested on the table which is $2m$ away from the windows and on the window itself, as shown in figure 6.2. These small changes in position of the smart phone did not make any difference in the estimated position. The smart phones tested in Test room 2 are listed in table 6.1. One unanticipated finding was that the “newer generation” smart phones did not deliver their position in any case but rather requested more assistance data like *iPhone 4*, *Galaxy S2* and *Galaxy S3*. There are two possible explanations for this behaviour. This might be because the newer AGPS devices require more assistance data by relying on the network providers to have synchronized GSM systems or it is an security protection of the smart phone user. No information on the AGPS receiver chipset in the smart phones could be found online by the author. The previous two statements have to be considered with ambiguity. Another contrary to expectations, were the results with two Nokia “smart phone” models *E71* and *N95*. The results were only delivered when an RRLP request was sent without any assistance data. Although it was stated in their specifications that both cell phones are equipped with an AGPS receiver [62] [61]. However, RRLP requests with assistance data did not produce any output from these smart phones. The reason for this behaviour is

6.1. TESTS & RESULTS

not completely obvious but it might be due to the fact these are older models in comparison to other smart phones in the tests. At the time point when the two cell phones were released by Nokia the firmware for the phones might not have been fully developed since both models are from the same company.

The third test took place in Test room 3, as shown in figure 6.1 by the yellow dot. The third test room has the following coordinates: latitude $48^{\circ}0'12.26''\text{N}$ and longitude $7^{\circ}50'54.45''\text{E}$. The smart phones were placed on the windows. In this room, the tested smart phones did not deliver any positions but only errors about missing assistance data and time-outs. While non of the smart phones delivered their position, the room was tested if a GPS position can be obtained with an external GPS receiver. The test was successful and after 12 minutes the position was obtained but the signal strength was weak according to the delivered GPS output. An implication emerging from this finding may be related to the GPS receiver high sensitivity ($-160\text{ dBm} = 10^{-19}\text{ W}$) and an active patch antenna with a size of $2\times 2\text{ cm}$ [80]. The GPS receivers employed in smart phones have to be small in size to fit into the device and use a passive antenna because active antennas have an additional power consumption [79].

To determine if the delivered results are taken from the cache or some other memory in the smart phone, the same test have been performed in the basement hallway where no windows exist right after the smart phones have successfully delivered their position in Test room 2. This test did not deliver any position but only time-outs or errors containing information that no satellites are visible. This test confirmed that the smart phones are always performing a position estimation at the moment when an RRLP request is sent to the MS.

The last test has been carried out outside of the computer pool building. This test was conducted to confirm the argument that precision of the estimated position is related to the received GPS signal strength and number of visible satellites. As it can be seen in figure 6.1, the tests were performed at the blue dot and around it and the estimated positions were 1-5 m off of the real position. The estimated positions are shown in a blue rectangle with an O (letter O) in the left corner of it.

In table 6.2, the list of all results from Test room 2 is shown. The abbreviations used in the table are explained in this paragraph. RRLP indicates the MS has delivered its position only when an RRLP position request without any assistance data has been sent. RRLP(E) indicates the MS has delivered its position only when an RRLP request contained almanac, ephemeris, UTC model, ionospheric model and reference location data has been sent. RRLP(A) indicates the MS has delivered its position when an RRLP request contained only almanac data. If there is no error description, then the smart phone delivered its position successfully. Otherwise, the

stated data were requested by the smart phones. In case the positions were delivered by the smart phones, the waiting period was usually shorter than 3 minutes. The waiting time period of 3 minutes for the result is not discouraging provided that the assistance data like reference time (exact time, explained in section 4.2) and acquisition assistance data (phase shift and Doppler effect frequency required by the AGPS, explained in section 4.2) were not delivered to the MS. It is important to mention the strange behaviour by *Galaxy Nexus i9250*, the smart phone responded only with acknowledgements while the assistance data have been sent but after the reception it immediately closed the SDCCH channel. The *Blade* closed the SDCCH channel after 4 transmitted assistance packets for the RRLP(E) test. The *Defy* by Motorola did not produce any output at all and its behaviour was exact like of an 2G cell phone without a GPS receiver. To eliminate doubts and suspicion if the SDCCH channel was properly working and the generated time-outs were not by OpenBSC, 2G phones (Nokia 3310 and Siemens M50) have been used to perform the SDCCH test. An SDCCH channel has been initialized 10 times on different days with the 2G phones and left open for 10 minutes. The 2G phones reported the signal strengths of the initialized channel according to the defined standard. This provides a proof that if time-outs were generated, they were generated by the smart phones rather than OpenBSC. One important remark related to the tests has to be mentioned. Occasionally, *iPhone 3GS* and *G1* did not deliver their results the first time the RRLP request was sent but an time-out which lead to the disconnection of the SDCCH channel. Second time the same RRLP request were sent, the smart phones delivered their positions. This unexpected behaviour raises a suspicion that

Table 6.2.: Smart phone RRLP test results from Test room 2.

Cell phone model	RRLP(E)	RRLP(A)	RRLP	Type of error (or missing data)
<i>Defy</i>	No	No	No	No response (time-out)
<i>iPhone 4</i>	No	No	No	Reference time, Navigation Model, Reference Location
<i>iPhone 3GS</i>	Yes	Yes	No	/
<i>G1</i>	No	Yes	Only occasionally	/
<i>Galaxy S2</i>	No	No	No	Acquisition Assistance
<i>Galaxy S3</i>	No	No	No	Reference Location, Reference Time, Acquisition Assistance, Navigation Model
<i>Galaxy Nexus i9250</i>	No	No	No	Did not respond, only ACKs
<i>E71</i>	No	No	Yes	/
<i>N95</i>	No	No	Yes	/
<i>Desire S</i>	Yes	No	No	/
<i>Blade</i>	No	No	Yes	/

6.2. CRITICISM OF PERFORMED TESTS

the smart phones do not behave according to the RRLP standard where it is well defined how much time they have to perform the localization. However, the previous statement ought to be considered with some uncertainty since it can not be proved without access to the hardware and firmware of the smart phones. The combination of described findings in this chapter and in table 6.2 provides some support for the premise that the RRLP standard is not yet a fully implemented standard by all manufacturers that claim AGPS functionality. Does the RRLP functionality depend on the AGPS chipset or RRLP itself, remains an open question.

6.2. Criticism of performed tests

Perhaps the most serious weakness of the presented results is that the author had no access to the firmware or the hardware of the MS while the tests have been performed. This would allow the author to see what type and how the assistance data are employed by the AGPS in the MS. If access could be gained, to the internal operation of the AGPS receiver, all doubts and bias about the deduced hypotheses could be eliminated. The whole system represents a black box where an input is delivered and an output is expected. Another drawback was the lack of hardware information inside of the MS (AGPS receivers and antennas). This does not allow an exact comparison between different cell phone models and if they can acquire any GPS signal in weak signal strength conditions like it was in Test room 3.

Difficulties arise in assessment and comparing the results in this thesis with other relevant studies due to the lack of any research studies completed using the same hardware and equivalent type of assistance data. In the relevant studies different hardware test equipment is used while this thesis was carried out without that test equipment [14]. In addition, no research has been found that surveyed the amount of time required to get a position response from a MS where only almanac, ephemeris, UTC model, ionospheric model and reference location data have been delivered to the MS.

Another limitation of the evaluated results lies in the fact that the tests have been only applied to the stated cell phones and it could not be tested with all possible models. The tests suffer from a major drawback as real time movement of satellites, the tests could not be conducted parallelly but rather in serial manner in time. In other words, a satellite visible at the moment while the first test is being performed may not be visible the second time when the test is executed. The tests were performed in the morning 10:00-12:00 and in the afternoon 16:00-19:00, with morning being the period of day when it was difficult even for the external GPS device to track

the satellites (by difficulty is meant the period of time required to get a position fix). GPS signal strength is vital for performing a position estimation due to the phase shift and Doppler frequencies. When the signal levels are lower than acquisition sensitivity of the GPS receiver inside the smart phone even assistance data can not help further. Antenna polarization and the position of the cell phone matter as well.

Correctness of assistance data in almanac and ephemeris data can not be verified. The author had to rely and trust the Navigation Center of the US Coast Guard and Trimble as sources although errors were confirmed by different studies in [35] [44]. Errors can be confirmed by the author in ephemeris data as well (URA values were out of specified range). These errors were not continual but appeared occasionally and these errors were inside of the assistance data provided by Navigation Center of the US Coast Guard (NVCS). Occasionally ephemeris data for some of the GPS satellites were missing as well.

6.3. Future work

The system could be extended with a GPS device that delivers raw GPS data instead of using the data provided by NVCS and Trimble. Obtained data by the GPS receiver could be compared to the data provided by NVCS or other GPS observation stations and verified for errors. By having more redundant sources of same information, mistakes in the GPS receiver output or transmission could be detected and eliminated since other sources of redundant data could indicate the correctness of assistance data.

Another idea to extend this work would be to use an LMU and provide the reference time and acquisition assistance data. This feature would enhance the complete system. However, one ought to understand it would require large changes in the OpenBSC source code and interoperability between the BTS and LMU.

Additionally, a tracking system of GSM users could be built by adding a timer that will trigger an RRLP request every few seconds or minutes. The successfully estimated positions could be considered as vertices on a map. By connecting vertices in succeeding manner, routes are created. Along the suggested idea, a machine learning algorithm ought to be used to process the path data and to predict the movement of GSM users for specific weekdays [53]. After the machine learning algorithm has successfully learned the movement routes of the GSM user, the system could be used as an early warning system for the GSM user. For an illustration, if an GSM user takes one drive route every Monday and there is a traffic jam, an early warning SMS could be sent to the user to take another route.

7. Summary and security issues

This thesis investigated the possibility to integrate mobile assisted GPS localization in GSM networks on undedicated and dedicated GSM hardware. The aim of this work was to implement the “first” working open source RRLP implementation in GSM networks, as well as to determine and evaluate the limits of this localization technique. Both goals were accomplished, a working RRLP protocol inside of data channels was successfully implemented. The evaluated results proved that out of 11 tested cell phone models, 6 successfully provided their GPS location. An analysis, with regards to accuracy and precision of the delivered positions, was discussed.

The research performed in this work has shown that it is neither impossibly convoluted nor burdensome to estimate the position of GSM users even inside of buildings granted that required assistance data can be provided by the GSM network operator. The findings of this study indicate that GSM users of smart phones can be tracked accurately and precisely without their knowledge. One implication of this evidence is to suggest that it would not be complicated for German law enforcement agencies to employ this precise surveillance technique to follow suspects. According to the German Interior Minister Hans-Peter Friedrich, in 2011 silent SMS were employed with the UL-TDOA technique to track down suspects [71]. The law is unclear if silent SMS can be considered communication when taking into consideration that no information is sent to the GSM user, and it remains a gray area from the legal point of view [71]. "The state found that it was not communication, since there is no content. This is useful, because if it is not a communication, it does not fall under the framework of the inviolability of telecommunications described in Article 10 of the German Constitution." said Mathias Monroy from Heise Online [71]. The development of a working RRLP application and the obtained results from this work enhance the understanding of AGPS receivers and may be further used to better understand how the assistance data influence the obtained results. Finally, a number of important limitations in the obtained results need to be considered. Not all assistance data were available, the tests were performed at different time points during the day, and the number of types of tested cell phones was not globally representative enough. This work has raised some questions in need of further investigation but it also illustrates that this is only a small revealed section of a larger hidden issue! A

future study investigating the results of further assistance data being provided to the cell phones would be very interesting. The produced RRLP software and obtained results may be used to develop new strategies aimed at protecting the privacy of cell phone users.

Bibliography

- [1] 3GPP. Location Services (LCS); Functional description; Stage 2. TS 03.71 V7.11.0, 3rd Generation Partnership Project (3GPP), June 2006. [Online; accessed 05-July-2012].
- [2] 3GPP. Location Services (LCS); Mobile Station (MS) - Serving Mobile Location Centre (SMLC) Radio Resource LCS Protocol (RRLP). TS 04.31 V8.18.0, 3rd Generation Partnership Project (3GPP), June 2007. [Online; accessed 07-July-2012].
- [3] 3GPP. Location Services (LCS); Base Station System Application Part LCS Extension (BSSAP-LE) (Release 8). TS 49.031 V8.1.0, 3rd Generation Partnership Project (3GPP), Dec. 2008. [Online; accessed 09-July-2012].
- [4] 3GPP-COORDINATES. 3GPP TS 23.032 V6.0.0 (2004-12), 3rd Generation Partnership Project; Technical Specification Group Core Network; Universal Geographical Area Description (GAD) (Release 6). Tech. rep., Dec. 2004. [Online; accessed 18-June-2012].
- [5] AGARWAL, N., BASCH, J., BECKMANN, P., BHARTI, P., BLOEBAUM, S., CASADEI, S., CHOU, A., ENGE, P., FONG, W., HATHI, N., MANN, W., SAHAI, A., STONE, J., TSITSIKLIS, J., AND VAN ROY, B. Algorithms for GPS operation indoors and downtown. *GPS Solutions* 6 (2002), 149–160. 10.1007/s10291-002-0028-0.
- [6] AKOPIAN, D., AND SYRJARINNE, J. A network aided iterated LS method for GPS positioning and time recovery without navigation message decoding. In *Position Location and Navigation Symposium, 2002 IEEE* (2002), pp. 77–84.
- [7] ANDREW RASSWEILER. iPhone 3GS Carries \$178.96 BOM and Manufacturing Cost, iSuppli Teardown Reveals. <http://www.isuppli.com/Teardowns/News/Pages/iPhone-3G-S-Carries-178-96-BOM-and-Manufacturing-Cost-iSuppli-Teardown-Reveals.aspx>. [Online; accessed 14-July-2012].

- [8] BENSKY, A. *Wireless positioning technologies and applications*. Artech House, Boston, Mass, 2008.
- [9] BLOSSOM, E. Exploring gnu radio. <http://www.gnu.org/software/gnuradio/doc/exploring-gnuradio.html#fm-receiver>, 2004. [Online; accessed 30-August-2012].
- [10] BLUR GROUP MARKETING. Trends and Statistics in Location Based Services. <http://blur-marketing.com/blog/trends-and-statistics-in-location-based-services/>. [Online; accessed 7-July-2012].
- [11] BORRE, K. *A Software-Defined GPS and Galileo Receiver: A Single-Frequency Approach (Applied and Numerical Harmonic Analysis)*. Birkhäuser Boston, 2006.
- [12] BRAASCH, M., AND VAN DIERENDONCK, A. GPS receiver architectures and measurements. *Proceedings of the IEEE* 87, 1 (jan 1999), 48–64.
- [13] CLYNCH, J. R. Earth Coordinates. http://www.gmat.unsw.edu.au/snap/gps/clynch_pdfs/coorddef.pdf, 2006. [Online; accessed 27-June-2012].
- [14] COMMUNICATION, S. A-gps over the air test method: Business and technology implications. http://www.spirentfederal.com/gps/documents/Spirent_A-GPS_OTA_whitepaper.pdf, 2009. [Online; accessed 20-August-2012].
- [15] CORP, DAISHINKU. Development of Miniature High-Precision SMD TCXO for GPS. Tech. rep., DAISHINKU CORP. 1389 Shinzaike, Hiraoka-cho, Kakogawa, Hyogo 675-0194 Japan, 2008. [Online; accessed 18-June-2012].
- [16] DEPARTMENT OF PHYSICS AND ASTRONOMY, GEORGIA STATE UNIVERSITY. Maximum Sensitivity Region of Human Hearing. <http://hyperphysics.phy-astr.gsu.edu/hbase/sound/maxsens.html>. [Online; accessed 13-August-2012].
- [17] DIGGELEN, V. *A-GPS assisted GPS, GNSS, and SBAS*. Artech House, Boston, 2009.
- [18] DJUKNIC, G., AND RICHTON, R. Geolocation and assisted GPS. *Computer* 34, 2 (feb 2001), 123 –125.
- [19] DOMINIK SCHNEUWLY. The Synchronization of 3G UMTS Networks. <http://www.oscilloquartz.com/file/pdf/Ap17UMTS-screen.pdf>. [Online; accessed 14-July-2012].

BIBLIOGRAPHY

- [20] EBERSPÄCHER, J., VÖGEL, H.-J., BETTSTETTER, C., AND HARTMANN, C. *GSM - Architecture, Protocols and Services*. Wiley, 2009.
- [21] ELLIOTT D. KAPLAN, C. H. *Understanding GPS: principles and applications*. Artech House, Boston, 2006.
- [22] EMAIL MARKETING REPORTS. Smartphone statistics and market share. <http://www.email-marketing-reports.com/wireless-mobile/smartphone-statistics.htm>. [Online; accessed 7-July-2012].
- [23] ETSI. Location Services (LCS); Mobile Station (MS) - Serving Mobile Location Centre (SMLC) Radio Resource LCS Protocol (RRLP). TS 144 031V8, European Telecommunications Standards Institute (ETSI), June 2007. [Online; accessed 09-July-2012].
- [24] ETSI. Universal Mobile Telecommunications System (UMTS); Location Measurement Unit (LMU) performance specification. TS 125.111, European Telecommunications Standards Institute (ETSI), Apr. 2008. [Online; accessed 25-June-2012].
- [25] FCC. Wireless E911 Location Accuracy Requirements; E911 Requirements for IP-Enabled Service Providers. <https://www.federalregister.gov/articles/2010/11/02/2010-27579/wireless-e911-location-accuracy-requirements-e911-requirements-for-ip-enabled-service-providers>. [Online; accessed 19-July-2012].
- [26] FIGUEIRAS, J., AND FRATTASI, S. *Mobile Positioning and Tracking: From Conventional to Cooperative Techniques*. Wiley, 2010.
- [27] GOOGLE. Location-based services. <http://support.google.com/maps/bin/answer.py?hl=en&answer=1725632>. [Online; accessed 18-July-2012].
- [28] GPS WORLD. European Commission Report on Galileo Estimates \$ 1 Trillion in Europe Depends on SatNav. <http://www.gpsworld.com/gnss-system/news/european-commission-report-galileo-estimates-1-trillion-europe-depends-satnav-10950>. [Online; accessed 27-June-2012].
- [29] GRIMES, J. G. Global positioning system standard positioning service performance standard, Sept. 2008. [Online; accessed 01-June-2012].
- [30] GSMA. Brief History of GSM & the GSMA. <http://www.gsma.com/aboutus/history/>. [Online; accessed 7-July-2012].

- [31] GUAN, X., HU, D., AND CHEN, J. Design and implementation of the acquisition circuit in software GPS receiver. In *Mobile Technology, Applications and Systems, 2005 2nd International Conference on* (nov. 2005), pp. 4 pp.–4.
- [32] HALONEN, T., ROMERO, J., AND MELERO, J. *GSM, GPRS and EDGE Performance: Evolution Toward 3G/UMTS*. John Wiley & Sons, 2002.
- [33] HARPER, N. *Server-side GPS and assisted-GPS in Java*. Artech House, Boston, 2010.
- [34] HEINE, G. *GSM Networks: Protocols, Terminology and Implementation (Artech House Mobile Communications)*. Artech House Publishers, 1998.
- [35] HENG, L., GAO, G. X., WALTER, T., AND ENGE, P. GPS Ephemeris Error Screening and Results for 2006-2009. *ION Institute of Navigation Global Navigation Satellite Systems Conference* (2010).
- [36] HOGREFE, D. Mobile Communication - Wireless Telecommunication Systems - University of Goettingen. http://medien.e-learning.uni-goettingen.de/daten/990092/20111/2726/15-pdf/04_Wireless-Telecommunication_I_V2.pdf, 2012. [Online; accessed 5-April-2012].
- [37] IBNKAHLA, M. *Signal Processing for Mobile Communications Handbook*. CRC Press, 2004.
- [38] IGLESIAS, P. A. Linearization. <http://www.ece.jhu.edu/~pi/Courses/454/NotesA.pdf>. [Online; accessed 27-June-2012].
- [39] IP.ACCESS LTD. GSM-over-IP picocells for in-building coverage and capacity, 2005. [Online; accessed 10-June-2012].
- [40] IP.ACCESS LTD. The world's most deployed picocell. <http://www.ipaccess.com/en/nanoGSM-picocell>, 2007. [Online; accessed 3-April-2012].
- [41] IP.ACCESS LTD. nanoBTS Installation Manual, 2009. [Online; accessed 10-June-2012].
- [42] ITU. Information technology – Abstract Syntax Notation One (ASN.1): Specification of basic notation. TS ITU-T X.680, International Telecommunication Union (ITU), July 2002. [Online; accessed 10-July-2012].

BIBLIOGRAPHY

- [43] ITU. Information technology – ASN.1 encoding rules: Specification of Packed Encoding Rules (PER). TS ITU-T X.691, International Telecommunication Union (ITU), July 2002. [Online; accessed 11-July-2012].
- [44] JEFFERSON, D. C., AND BAR-SEVER, Y. E. Accuracy and Consistency of Broadcast GPS Ephemeris Data. *ION Institute of Navigation International Technical Meeting*.
- [45] KEE, C., AND PARKINSON, B. Wide area differential gps (wadgps): future navigation system. *Aerospace and Electronic Systems, IEEE Transactions on* 32, 2 (april 1996), 795 –808.
- [46] KLINE, P. A. *Atomic Clock Augmentation For Receivers Using the Global Positioning System*. PhD thesis. [Online; accessed 05-July-2012].
- [47] KOLODZIEJ, K. W., AND HJELM, J. *Local Positioning Systems: LBS Applications and Services*. CRC Press, 2006.
- [48] KOZIEROK, C. *The TCP/IP guide : a comprehensive, illustrated Internet protocols reference*. No Starch Press, San Francisco, 2005.
- [49] KÜPPER, A. *Location-Based Services: Fundamentals and Operation*. Wiley, 2005.
- [50] LI DENG AND DOUGLAS O'SHAUGHNESSY. *Speech Processing: A Dynamic and Optimization-Oriented Approach (Signal Processing and Communications)*. CRC Press, 2003.
- [51] MA, C., LACHAPELLE, G., AND CANNON, M. E. Implementation of a Software GPS Receiver. In *Proceedings of ION GNSS 2004 (Session A3), Long Beach, CA* (sep. 2004). [Online; accessed 08-June-2012].
- [52] MALIK, A. *RTLS for dummies*. For Dummies John Wiley distributor, Hoboken, N.J. Chichester, 2009.
- [53] MALM, S., AND OSBORNE, L. Mobile phone companies can predict future movements of users by building a profile of their lifestyle. <http://www.dailymail.co.uk/sciencetech/article-2190531/Mobile-phone-companies-predict-future-movements-users-building-profile-lifestyle.html>. [Online; accessed 29-August-2012].
- [54] MARTIN ZWILLING, FORBES MAGAZINE. Location-Based Services are a Bonanza for Startups. <http://www.forbes.com/sites/>

- `martinzwillig/2011/01/31/location-based-services-are-a-bonanza-for-startups/`. [Online; accessed 7-July-2012].
- [55] MEIER, K. Netzwerkmonitor fuer die Ortung in GSM-Netzen. Master's thesis, University of Freiburg, 2010.
- [56] MORLEY, J. Academic phrasebank. <http://www.edri.org/edriagram/number10.2/silent-sms-tracking-suspects>, 2005. [Online; accessed 1-September-2012].
- [57] MOTOROLA. Overview of 2G LCS Technnologies and Standards. Tech. Rep. LCS-010019, 3GPP TSG SA2 LCS Workshop, Jan. 2001. [Online; accessed 18-June-2012].
- [58] MÜLLER, C., WAN, L., AND HRG, D. Dealing with wandering: a case study on caregivers' attitudes towards privacy and autonomy when reflecting the use of lbs. In *Proceedings of the 16th ACM international conference on Supporting group work* (New York, NY, USA, 2010), GROUP '10, ACM, pp. 75–84.
- [59] NAVIGATION CENTER, U. D. O. H. S. Navstar GPS User Equipment Introduction, Sept. 1996. [Online; accessed 27-June-2012].
- [60] NAVIGATION CENTER, U. D. O. H. S. Interface Specification IS-GPS-200, June 2010. [Online; accessed 27-June-2012].
- [61] NOKIA. Detailed specifications for the Nokia N95. <http://www.nokia.com/us-en/products/phone/nokia-n95/specifications/>, 2006. [Online; accessed 29-August-2012].
- [62] NOKIA. Detailed specifications for the Nokia E71. <http://www.nokia.com/in-en/products/phone/e71/specifications/>, 2008. [Online; accessed 29-August-2012].
- [63] OGUNFUNMI, T. *Adaptive Nonlinear System Identification: The Volterra and Wiener Model Approaches (Signals and Communication Technology)*. Springer, 2007.
- [64] OSMOCOM. OpenBSC build guide. Web. [Online; accessed 22-May-2012].
- [65] OSMOCOM. Openbsc. <http://openbsc.osmocom.org/trac/>, 2012. [Online; accessed 30-August-2012].
- [66] OSMOCOM. Openbsc - openbsc. <http://openbsc.osmocom.org/trac/wiki/OpenBSC>, 2012. [Online; accessed 30-August-2012].

BIBLIOGRAPHY

- [67] PERICOM. Choice of TCXO for GPS Design. Tech. rep., Pericom Semiconductor Corporation, 3545 North First St., San Jose, CA 95134, USA, 2008. [Online; accessed 18-June-2012].
- [68] PHIL MANN. Timing synchronization for 3G wireless. http://www.eetasia.com/ART_8800354031_590626_NT_14db7f7f.HTM. [Online; accessed 14-July-2012].
- [69] RANGENETWORKS. Openbts. <http://wush.net/trac/rangepublic>, 2012. [Online; accessed 30-August-2012].
- [70] RAZAVI, A., GEBRE-EGZIABHER, D., AND AKOS, D. Carrier loop architectures for tracking weak GPS signals. *Aerospace and Electronic Systems, IEEE Transactions on* 44, 2 (april 2008), 697–710.
- [71] RIGHTS, E. D. C. Police frequently uses silent sms to locate suspects. <http://www.edri.org/edriagram/number10.2/silent-sms-tracking-suspects>, 2012. [Online; accessed 1-September-2012].
- [72] SHARP, R. *Principles of protocol design*. Springer, Berlin, 2008.
- [73] SOLIMAN, S., GLAZKO, S., AND AGASHE, P. GPS receiver sensitivity enhancement in wireless applications. In *Technologies for Wireless Applications, 1999. Digest. 1999 IEEE MTT-S Symposium on* (feb 1999), pp. 181–186.
- [74] SOYEZ, F. Getting the message? police track phones with silent sms. <http://owni.eu/2012/01/27/silent-sms-germany-france-surveillance-deveryware/>, 2012. [Online; accessed 1-September-2012].
- [75] SPIRENT COMMUNICATIONS. Spirent Expands Leadership in Testing E911 and Location Based Services for LTE Networks. http://www.spirent.com/About-Us/News_Room/Press-Releases/2012/2012_02_21_Spirent_LBS_LTE_Testing. [Online; accessed 7-July-2012].
- [76] STEVENS, W. *TCP/IP illustrated*. Addison-Wesley Pub. Co, Reading, Mass, 1994.
- [77] STEWART, J. *Calculus*. Brooks Cole, 2011.
- [78] THE REGISTER, UK NEWS MAGAZINE. FCC to fine network operators who can't find customers. http://www.theregister.co.uk/2007/08/31/e911_fine/. [Online; accessed 7-July-2012].

- [79] U-BLOX AG. GPS Antennas: RF Design Considerations for u-blox GPS Receivers. https://www.u-blox.com/images/downloads/Product_Docs/GPS_Antennas_ApplicationNote%28GPS-X-08014%29.pdf, 2009. [Online; accessed 29-August-2012].
- [80] U-BLOX AG. UBX-G5010, G5000/G0010. http://www.texim-europe.com/promotion/560/ubx-g5010%20datasheet_te.pdf, 2009. [Online; accessed 5-April-2012].
- [81] U-BLOX AG. The GPS Dictionary. http://www.u-blox.com/images/stories/the_gps_dictionary.pdf, 2010. [Online; accessed 1-August-2012].
- [82] WEHRLE, D. Open Source IMSI-Catcher. Master's thesis, University of Freiburg, 2010.
- [83] XU, G. *GPS: Theory, Algorithms and Applications*. Springer, 2007.
- [84] ZAHORANSKY, R. M. Localization in GSM Mobile Radio Networks. Master's thesis, University of Freiburg, 2011.
- [85] ZEIMPEKIS, V., GIAGLIS, G. M., AND LEKAKOS, G. A taxonomy of indoor and outdoor positioning techniques for mobile location services. *SIGecom Exch.* 3, 4 (Dec. 2002), 19–27. [Online; accessed 17-July-2012].
- [86] ZHANG, J., AND DE LA ROCHE, G. *Femtocells: Technologies and Deployment*. Wiley, 2010.

Dictionary of acronyms

Acronym	Description
AGCH	Access Grant Channel
AGPS	Assisted GPS
AOA	Angle of Arrival
ASN.1	Abstract Syntax Notation One
AUC	Authentication Center
ARFCN	Absolute Radio Frequency Channel Number
BCCH	Broadcast Common Control Channel
BPSK	Binary Phase Shift Keying
BSC	Base Station Controller
BSS	Base Station Subsystem
BTS	Base Transceiver Station
C/A	Code/Acquisition
CBCH	Cell Broadcast Channel
CCH	Controlling/Signalling Channels
CDMA	Code Division Multiple Access
CPU	Central Processing Unit
DGPS	Differential GPS corrections
E-OTD	Enhanced Observed Time Difference
EIR	Equipment Identity Register
ETSI	European Telecommunications Standards Institute

Acronym	Description
FACCH	Fast Associated Control Channel
FCC	US Federal Communication Commission
FCCH	Frequency Correction Channel
FDMA	Frequency Division Multiple Access
GMSC	Gateway Mobile Switching Center
GNSS	Global Navigation Satellite System
GPS	Global Positioning System
GSM	Global System for Mobile Communications
HLR	Home Location Register
HOW	Handover word
IE	Information Element
IMSI	International Mobile Subscriber Identity
LBS	Location-Based Service
LFSR	Linear Feedback Shift Registers
LMU	Location Measurement Units
LTE	Long Term Evolution
MAC	Media Access Control Address
MS	Mobile Station
MSC	Mobile Switching Center
MSISDN	Mobile Subscriber Integrated Services Digital Network-Number
NSS	Network Switching Subsystem
NVCS	Navigation Center of the US Coast Guard
PCH	Paging Channel
PDU	Protocol Data Unit
PER	Packed Encoding Rules
PLL	Phase Locked Loop
PRN	Pseudo Random Noise

Acronym	Description
RACH	Random Access Channel
RF	Radio Frequency
RINEX	Receiver Independent Exchange Format
RRLP	Radio Resource Location Protocol
RSS	Received Signal Strength
SACCH	Slow Associated Control Channel
SCH	Synchronization Channel
SDCCH	Stand-alone Dedicated Control Channel
SDR	Software Defined Radio
SIM	Subscriber Identification Module
SMLC	Serving Mobile Location Center
SMS	Short Message Services
TCH	Traffic Channels
TDMA	Time Division Multiple Access
TLM	Telemetry
TRAU	Transcoding Rate, Adaptation Unit
TS	Telecommunication Standard
UL-TDOA	Up-Link Time Difference of Arrival
UMTS	Universal Mobile Telecommunications System
USRP	Universal Software Radio Peripheral
UTC	Coordinated Universal Time
VLR	Visitor Location Register
VTY	Virtual Teletype

Appendix

A. Installation and configuration guide

In order to evaluate the localization system, it is required to install OpenBSC and to modify the proper source files and compile the system. The aim of this section is to describe that process in such detail that the presented material is sufficient to reproduce equivalent or similar results. The guide was successfully tested out on the following operating systems: Ubuntu 10.04 LTS 64 bit and Ubuntu 12.04 LTS 64 bit. A CD with included source code is supplied with the thesis. There is a marking difference between text given in light and dark grey background color, the former ought to be typed in the terminal window or it may be an output produced by an application, whereas the later emphasizes a file modification case.

A.1. Installation of OpenBSC

In order to compile OpenBSC it is required to install the following precompiled packages¹:

- libdbi0
- libdbi0-dev
- libdbd-sqlite3
- libortp-dev
- build-essential
- libtool
- autoconf
- automake
- git-core
- pkg-config

¹If more details are required for the installation process a guide can be found at [64].

Before installing the required packages and libraries, to keep the installation process clean and free of modifying other files, the author will create a new directory.

```
mkdir gsm_localization
cd gsm_localization
```

By executing the following instructions the required libraries will be installed.

```
sudo apt-get install libdbi0-dev libdbd-sqlite3 build-essential
sudo apt-get install libtool autoconf automake git-core
sudo apt-get install pkg-config libortp-dev
```

After the packages were installed, *libosmocore* library must be downloaded, compiled and installed. By executing the following instructions:

```
git clone git://git.osmocom.org/libosmocore.git
cd libosmocore
autoreconf -fi
./configure
make
sudo make install
sudo ldconfig
cd ..
```

In the next step *libosmo-abis* will be installed.

```
git clone git://git.osmocom.org/libosmo-abis.git
cd libosmo-abis
autoreconf -fi
./configure
make
sudo make install
sudo ldconfig
cd ..
```

After the previous steps have finished successfully, the author will proceed with downloading, compiling and installing OpenBSC.

```
git clone git://git.osmocom.org/openbsc.git
cd openbsc/openbsc
autoreconf -i
sudo export PKG_CONFIG_PATH=/usr/local/lib/pkgconfig
./configure
make
```

At this point, OpenBSC should be successfully compiled.

A.2. Configuring nanoBTS for OpenBSC

To enable the nanoBTS and OpenBSC to be fully operational, the last configuration steps have to be made. It is necessary to inform the nanoBTS of the IP address of the server that is running OpenBSC since it must connect to OpenBSC. We need to find a free ARFCN channel where our system is expected to operate².

To find the ID and the IP address of the nanoBTS it is required to start *ipaccess-find*³.

```
cd ~/gsm_localization/openbsc/openbsc/src/ipaccess
./ipaccess-find
```

ipaccess-find will produce an output similar to the one given:

```
Trying to find ip.access BTS by broadcast UDP...
MAC_Address='00:02:95:00:61:70'  IP_Address='132.230.4.63'
Unit_ID='1801/0/0'  Location_1=''  Location_2='BTS_NBT131G'
Equipment_Version='165g029_73'
Software_Version='168a352_v142b30d0'
Unit_Name='nbts-00-02-95-00-61-70'
Serial_Number='00110533'
```

In the next step, the nanoBTS is informed of the OpenBSC IP address by typing the following commands (the first IP address belongs to the server running OpenBSC and the second to the nanoBTS):

```
cd ~/gsm_localization/openbsc/openbsc/src/ipaccess
./ipaccess-config -o 132.230.4.65 132.230.4.63 -r
```

It is required to create the directory where the configuration file will be located and to modify the configuration file.

```
sudo mkdir /usr/local/lcr
cd ~/gsm_localization/openbsc/openbsc/doc/
cd examples/osmo-nitb/nanobts
sudo cp openbsc.cfg /usr/local/lcr
sudo vim /usr/local/lcr/openbsc.cfg
```

²A licence has to be obtained from the Federal Network Agency (German: *Bundesnetzagentur*), otherwise it is illegal and may be considered as a criminal act.

³The nanoBTS ought to be blinking in orange color before starting *ipaccess-find*.

A free ARFCN channel can be found using a spectrum analyzer and by setting the frequency range to the GSM frequency band. One has to slide through the frequencies shown on the X-axis, and by looking at the Y-axis with appropriate frequency resolution⁴, where the received power is represented⁵. By patiently observing the Y-axis it can be easily seen on the X-axis which channels are taken by other GSM service providers and which are free. The chosen channel ought to be peak free. Once a free frequency channel has been found, it is necessary to instruct the nanoBTS to operate in that frequency range. The line, numbered 58, has to be modified with the correct free ARFCN channel, in this case 877.

```
arfcn 877
```

The ARFCN channel value can be calculated using the given formula in (A.1), where f_{start} is the starting frequency of the uplink bandwidth for DCS1800, f_{CB} is the channel bandwidth and $Offset$ is the offset⁶.

$$f_{up}(\text{ARFCN}) = f_{start} + f_{CB} \cdot (\text{ARFCN} - \text{Offset})$$

$$\text{where } \begin{cases} f_{start} = 1710.2 \text{ MHz} \\ f_{CB} = 200 \text{ kHz} \\ \text{Offset} = 512 \end{cases} \quad (\text{A.1})$$

On line numbered 53, the last configuration file modification has to be made for the final configuration of the OpenBSC software. The Unit ID from the output above has to be set⁷.

```
ip.access unit_id 1801 0
```

At this point the nanoBTS and OpenBSC configuration is done.

⁴The frequency resolution must be set to $f_{CB} = 200 \text{ kHz}$ or higher values for faster movement in the frequency spectrum.

⁵ Dependent of the manufacturer and settings of the spectrum analyzer, it can show signal amplitude, magnitude and power.

⁶ A table with frequency channels can be found at the following URL: <https://gsm.ks.uni-freiburg.de/arfcn.php>

⁷Indentation has to match the one of the configuration file.

A. INSTALLATION AND CONFIGURATION GUIDE

A.3. Installation and configuration of RRLP assistance software

To install the RRLP software that generates assistance data, several libraries are required to be installed, *cURL*⁸, *libconfig* and *SQLite*. *cURL* was used for the purpose of safely downloading assistance data from the Navigation Center of the US Coast Guard and Trimble server. *libconfig* library is used for reading in the configuration file, this way compiling of the software whenever one changes the settings was avoided. The *SQLite* library was employed to access the database used by OpenBSC to store the responded data from the mobile stations.

```
cd ~/gsm_localization
sudo apt-get install libsqlite3-dev
wget http://curl.haxx.se/download/curl-7.25.0.tar.gz
wget http://www.hyperrealm.com/libconfig/libconfig-1.4.8.tar.gz
tar -xvzf curl-7.25.0.tar.gz
tar -xvzf libconfig-1.4.8.tar.gz
cd curl-7.25.0
make
sudo make install
cd ..
cd libconfig-1.4.8/
./configure
make
sudo make install
```

Once the libraries have been successfully installed, the user may proceed with the configuration and compiling the RRLP assistance software, which is the key software produced in this thesis. The configuration file can be found in the same directory as the RRLP modules under the name: “gnssrrlp.cfg”. The sample configuration file is already preconfigured for the location of “Angewandte Mathematik und Rechenzentrum” building. Latitude and longitude of the BTS are expressed in decimal degrees and are bounded by $\pm 90^\circ$ and $\pm 180^\circ$ respectively. Positive latitudes are north of the equator, whereas negative are south of the equator. It is alike for longitude coordinates, positive longitudes are east of Prime Meridian and negative are west of the Prime Meridian. If the position in decimal degrees of the BTS is unknown, it is straightforward to derive them using the formula given in (A.2), where D are

⁸It may happen that the given download URLs are incorrect and have changed in the meantime, but one can easily find the latest versions on <http://curl.haxx.se/> and <http://www.hyperrealm.com/libconfig/>

degrees, M are minutes and S are seconds⁹.

$$DD = D + \frac{M}{60} + \frac{S}{3600} \quad (\text{A.2})$$

The altitude may be left as it is, set to 0, since it is not used in the current measurement technique¹⁰. The boolean variables can take *true* or *false* values.

```
// An example configuration file for the GNSS RRLP software.
name = "Configuration for RRLP";
// Change the settings if required:
settings =
{config = ( {
    ephemeris_url = "ftp://ftp.trimble.com/pub/eph/CurRnxN.nav";
    almanac_url = "http://www.navcen.uscg.gov/ ↵
    ↵ ?pageName=currentAlmanac&format=yuma";
    latitude_of_BTS = 48.003601;
    longitude_of_BTS = 7.848056;
    altitude_of_BTS = 0.0;
    uncertainty_of_lat_long = 7;
    uncertainty_of_alt = 7;
    confidence_level = 0;
    ephemeris_repair = false;
    use_reference_time = false;
    extra_seconds_to_add = 7;
    timezone_of_BTS = 1;
    time_to_refresh_ephem = 1;
    time_to_refresh_alm = 1 ; } )};
```

The uncertainty of the latitude and longitude correctness can be described using equation (A.3) [4]. The uncertainty of r is expressed in meters, it defines how accurate is the specified location of the BTS. In the configuration file, K is set to 7, which corresponds to $r = 9.4872$ m.

$$r = C((1+x)^K - 1) \text{ where } \begin{cases} C = 10 \\ x = 0.1 \\ K \in [0, 127] \cap \mathbb{N}_0 \end{cases} \quad (\text{A.3})$$

A set of uncertainties r is given in table A.1 for various integer values of K . Altitude

⁹An online converter of the Federal Communication Commission can be used as well to convert from degrees, minutes and seconds to decimal degrees and vice versa <http://transition.fcc.gov/mb/audio/bickel/DDMMSS-decimal.html>

¹⁰If the value is set to zero, it is important to set it to 0.0 because *libconfig* would otherwise convert it to an integer however it is a floating point number.

A. INSTALLATION AND CONFIGURATION GUIDE

Table A.1.: Example uncertainties (latitude and longitude) for various integer values of K .

Value of K	Value of uncertainty r	Value of K	Value of uncertainty r
0	0 m	20	57.3 m
1	1 m	60	3.0348 km

Table A.2.: Example uncertainties (altitude) for various integer values of K .

Value of K	Value of uncertainty h	Value of K	Value of uncertainty h
0	0 m	20	28.74 m
1	1.13 m	60	152.99 m

uncertainty can be described using the same Binomial expansion method, as given in (A.4), however with altered constant values [4]. The altitude uncertainty ranges between 0 m and 990.5 m ($h \in [0, 990.5]$ m). Although the same constant name K is used, it describes the altitude uncertainty. A set of uncertainties h is given in table A.2 for various integer values of K .

$$h = C((1+x)^K - 1) \text{ where } \begin{cases} C = 45 \\ x = 0.025 \\ K \in [0, 127] \wedge \|K\| \end{cases} \quad (\text{A.4})$$

Confidence level can take any integer value between 0 and 127. The confidence level defines the percentage of the confidence that the target entity, the GSM user one wants to locate, is within the geometric shape defined earlier. A value between 0 and 100; 127 may be interpreted as “no information” [4]. Ephemeris repair is a variable of the boolean type. Ephemeris data may contain errors or miss some satellite information [44] [35] and the ephemeris repair function, if set to true, will take data of the previous measurement report. This introduces an error as well. Reference time can be used to provide extra information for the A-GPS in the MS of target entity. This field is of boolean type, if set to true, reference time is included in the sent packets. Since the sent packets are not transmitted in real time but put on a stack and then sent to the MS, a time delay exists. The reference time being sent to the MS is Coordinated Universal Time (UTC). The GPS device receives UTC time from the satellites and adjusts the computer time. To set the correct time, time zone offset of the BTS ought to be set correctly. Finally, the refresh time of downloading new almanac and ephemeris data has to be set. The variable uses the hour unit, how often the data are being refreshed and downloaded. The almanac data are valid for up to 180 days [59] but are updated usually every day¹¹ [29].

¹¹Almanac update times can be found here: <http://www.navcen.uscg.gov/?pageName=currentNanus&format=txt>

B. Troubleshooting the BTS

While the work has been performed on OpenBSC, to open a data channel (SDCCH), the BTS was sometimes sent in erroneous states. These states are reported through a LED light on the BTS. Based on the color and flash type of the LED one can find out the state of the BTS. These states are given in table B.1 with their appropriate meaning. They may help the developer to troubleshoot and find the bug.

Table B.1.: Indicator LED status on the nanoBTS. Table courtesy of [41].

State	Color & Pattern	When	Precedence
Self-test failure	Red - Steady	In boot or application code when a power on self-test fails	1 (High)
Unspecified failure	Red - Steady	On software fatal errors	2
No Ethernet	Orange - Slow flash	Ethernet disconnected	3
Factory reset	Red - Fast blink	Dongle detected at start up and the factory defaults have been applied	4
Not configured	Alternating Red/ Green Fast flash	The unit has not been configured	5
Downloading code	Orange - Fast flash	Code download procedure is in progress	6
Establishing XML	Orange - Slow blink	A management link has not yet been established but is needed for the TRX to become operational. Specifically: for a master a Primary OML or Secondary OML is not yet established; for a slave an IML to its master or a Secondary OML is not yet established.	7
Self-test	Orange - Steady	From power on until end of backhaul power on self-test	8
NWL-test	Green - Fast flash	OML established, NWL test in progress	9
OCXO Calibration	Alternating Green/ Orange - Slow blink	The unit is in the fast calibrating state [SYNC]	10
Not transmitting	Green - Slow flash	The radio carrier is not being transmitted	11
Operational	Green - Steady	Default condition if none of the above apply	12 (Low)

C. CARRIER WAVE DEMODULATION

C. Carrier wave demodulation

The reason why the equivalent carrier wave must be generated is straightforward to understand by looking at the multiplication of two sine waves. The GPS L1 signal demodulator at the receiver was depicted in figure 3.7, page 25. The incoming signal L1 is multiplied with the synthesized sine wave¹². For the purpose of easier analysis and understanding this concept, cosine waves shall be used instead of sine waves. The difference between sine and cosine waves is in the phase shift, as denoted in equation (C.1).

$$\sin(\pm x) = \cos\left(\frac{\pi}{2} \pm x\right) \quad (\text{C.1})$$

Multiplication of two cosine waves, as in equation (C.2), can be derived by adding $\cos(A + B)$ and $\cos(A - B)$ together, as respectively given in equations (C.3) and (C.4).

$$\cos(A) \cdot \cos(B) = \frac{1}{2} \cos(A - B) + \frac{1}{2} \cos(A + B) \quad (\text{C.2})$$

$$\cos(A + B) = \cos(A) \cos(B) - \sin(A) \sin(B) \quad (\text{C.3})$$

$$\cos(A - B) = \cos(A) \cos(B) + \sin(A) \sin(B) \quad (\text{C.4})$$

The incoming GPS L1 signal with a frequency f_1 , given in figure 3.7, can be written as $d_{C/A} \cos(\omega_1 t)$, a similar form is given in equation (C.5), where $\omega_1 = 2\pi f_1$ is the angle frequency and $d_{C/A}$ is the C/A data (navigation message modulated with the PRN code), $d_{C/A} = d_{PRN} \oplus d_{NAV}$.

$$S(t) = \sqrt{\frac{P}{2}} d_{C/A} \cos(2\pi f_c + \varphi_{GPS}) + n(t) \quad (\text{C.5})$$

If equation (C.2) is rewritten with the received GPS signal L1 and synthesized wave with frequency f_2 substituted, then the equation results the one given in (C.6)

$$d_{C/A} \cdot \cos(\omega_1 t) \cos(\omega_2 t) = \frac{1}{2} d_{C/A} \cdot \cos(\omega_1 t - \omega_2 t) + \frac{1}{2} d_{C/A} \cos(\omega_1 t + \omega_2 t) \quad (\text{C.6})$$

This leaves the resulting signal with two frequency terms, a low frequency term $(\omega_1 t - \omega_2 t)$ and a high frequency term $(\omega_1 t + \omega_2 t)$, the t can be taken in front of the bracket, as it is a common multiplier. The high frequency term, $(\omega_1 + \omega_2)$, can be filtered out using a low-pass filter¹³. Ideally, the difference of the angle frequencies is

¹²Multiplication is the function of a mixer, denoted as \otimes in figure 3.7.

¹³A low-pass filter passes low frequency signals and attenuates high frequency signals. In other words, signals higher than the specified cutoff frequency of the low-pass filter, are cut off by reducing their amplitudes.

zero, as in equation (C.7), since $\cos(\Delta\omega) = \cos(0) = 1$ and the remaining left signal is only the C/A code multiplied with the DC term (zero frequency producing a constant voltage) leaving only $\frac{1}{2}d_{C/A}$.

$$\Delta\omega = \omega_1 - \omega_2 = 0 \quad (\text{C.7})$$

However, if the frequencies do not match, $f_1 \neq f_2$, then the output signal $\frac{1}{2}d_{C/A}$ will be modified by the residual frequency $f_1 - f_2$, and subsequently this will change the demodulated C/A output (also known as phase shift). Under those circumstances the correlator is unable to match the C/A code with the correct PRN code. An illustration of this phenomenon is depicted in figure C.1.

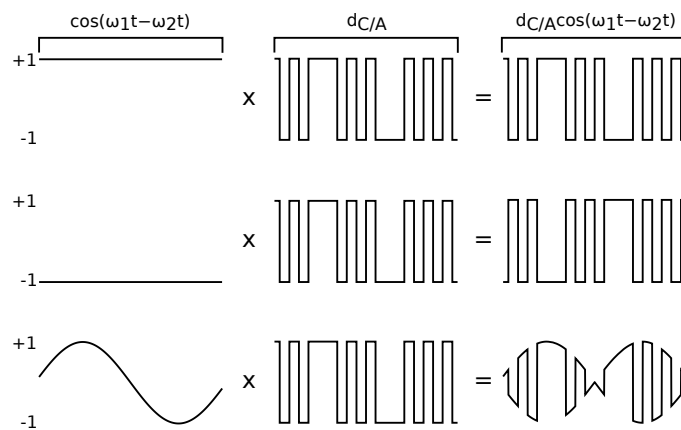


Figure C.1.: Effects of the low frequency term on the demodulated output C/A wave on the GPS receiver (the explanations and figures are from top to bottom). If the synthesized frequency is correct, $f_1 = f_2$, the low frequency term becomes a DC term and does not modify the output $d_{C/A}$ wave (first figure). If the frequency matches but the phase not, in this case the phase is shifted for π , then $d_{C/A}$ is inverted (second figure). If the phase shifts with time, then the amplitude and phase of $d_{C/A}$ will vary as well (third figure). Image courtesy of [17].

D. C/A WAVE DEMODULATION

D. C/A wave demodulation

The demodulation process, of finding the correct chipping rate, will be examined in this appendix section. The chipping period T_c can be derived from equation (D.1). The amount of time required to find a matching PRN code shift, τ , on the receiver is proportional to the amount of parallelly working LFSRs on the system [8, Chapter 3]. Clearly with more LFSRs the required time for finding the matching phase shift increases.

$$T_c = \frac{1}{f_{PRN}} = \frac{1}{1.023 \cdot 10^6 \text{Hz}} \quad (\text{D.1})$$

To determine whether the synthesized PRN code, matches the incoming C/A code of the received satellite signal, known correlation properties of PRN codes are used, as described in section 3.1. Since the PRN code is modeled as a sequence of +1's and -1's, the autocorrelation of a signal is at its maximum if it is in phase, i.e. summing up the sequence products yields the absolute maximum value for the case when each bit from one signal matches the bit from the other signal. As an illustration of the idea, an example is given in figure D.1. The cross-correlation of the incoming C/A code with the first synthesized PRN code produces a result of $-3 = (+1) \cdot (-1) + (-1) \cdot (+1) + (+1) \cdot (-1) + (+1) \cdot (+1) + (-1) \cdot (+1)$. However, the cross-correlation of the incoming C/A code and the second synthesized PRN code yields a result of $+5 = (+1) \cdot (+1) + (-1) \cdot (-1) + (+1) \cdot (+1) + (+1) \cdot (+1) + (-1) \cdot (-1)$.

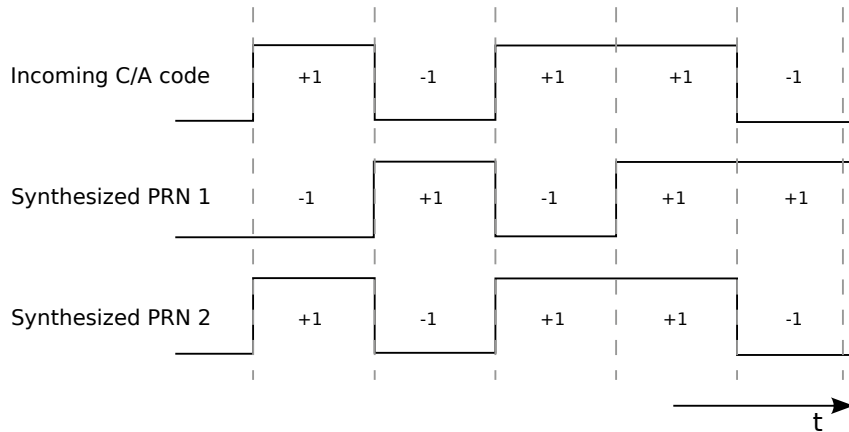


Figure D.1.: Cross-correlation on three different signals. Image courtesy of [21].

The same principle applies to the transmitted C/A and generated PRN code sequences in the GPS receiver. Thus, this can be modeled using the equation given in (D.2), where $G_i(t)$ is the C/A code¹⁴ as a function of time t , for the GPS satel-

¹⁴PRN generated codes for GPS satellites are called Gold code sequences since they were first discovered by Dr. Robert Gold.

lite i ; $T_{C/A}$ is the C/A chipping period of 977.5 ns and τ is the phase shift in the auto-correlation function [21, Chapter 4].

$$R_i(t) = \frac{1}{1023 \cdot T_{C/A}} \int_{t=0}^{1022} G_i(t)G_i(t + \tau)d\tau \quad (\text{D.2})$$

Another correlation property of the PRN codes is used, the fact that in the ideal case the cross-correlation of two different PRN codes yields a result of zero. The ideal case of PRN code can be modeled as in equation (D.3).

$$R_{ij}(\tau) = \int_{-\infty}^{+\infty} PRN_i(t)PRN_j(t + \tau)d\tau = 0 \quad (\text{D.3})$$

PRN_i is the PRN code waveform for GPS satellite i and PRN_j is the PRN code waveform for every other GPS satellite other than i , $i \neq j$ [21, Chapter 4]. Equation (D.3) “states that the PRN waveform of satellite i does not correlate with PRN waveform of any other satellite j for any phase shift τ ” [21, Chapter 4]. Without the property given in (D.3), the GPS receiver would not be able to smoothly differentiate between different GPS satellite signals. Once the phase shift, τ , has been found, the C/A code is modulated (XORed) with it. The resulting binary code are the transmitted subframes containing data required to estimate the position.

E. GPS ASSISTANCE DATA DESCRIPTIONS

E. GPS assistance data descriptions

Description of assistance data that are converted and sent inside the RRLP protocol.

Table E.1.: Almanac message. Table courtesy of [33].

Field (IE)	Description
SatelliteID	This is the satellite ID that is in the range of 0 to 63. PRN=SatelliteID + 1
SV Health	Satellite health (e.g. 000 means the satellite is fully operational)
e	"Eccentricity shows the amount of the orbit deviation from circular (orbit). It is the distance between the foci divided by the length of the semi-major axis" [81]
TOA	Time of applicability, reference time for orbit and clock parameters (seconds). "The number of seconds in the orbit when the almanac data were generated" [81]
OI	Orbital inclination (radians). The angle to which the SV orbit meets the equator [81]
RORA	Rate or right ascension (radians/second). "Rate of change of the angle of right ascension as defined in the Right Ascension mnemonic" [81]
$A^{1/2}$	Square root of semi-major axis (meters ^{1/2}). " This is defined as the measurement from the center of the orbit to either the point of apogee or the point of perigee" [81]
Ω_0	Right Ascension at Week (radians). Longitude of ascending node of orbit plane at weekly epoch
ω	Argument of perigee (semicircles). "An angular measurement along the orbital path measured from the ascending node to the point of perigee, measured in the direction of the SV's motion" [81]
M_0	Mean anomaly (radians)
a_{f0}	Satellite clock bias (seconds). Satellite clock error at reference time
a_{f1}	Satellite clock drift (seconds per second). Satellite clock error rate
Week	Week number since the last reset (i.e. since year 1980 modulo 1024 weeks)

Field (IE)	Description
α_0	Coefficient 0 of vertical delay
α_1	Coefficient 1 of vertical delay
α_2	Coefficient 2 of vertical delay
α_3	Coefficient 3 of vertical delay
β_0	Coefficient 0 of period of the model
β_1	Coefficient 1 of period of the model
β_2	Coefficient 2 of period of the model
β_3	Coefficient 3 of period of the model

Table E.2.: GPS Ionosphere Model.

Field (IE)	Description
A_1	Drift coefficient of GPS time scale relative to UTC time scale
A_0	Bias coefficient of GPS time scale relative to UTC time scale
t_{ot}	Time data reference time of week
Δt_{LS}	Current or past leap second count
WN_0	Time data reference week number
WN_{LSF}	Leap second reference week number
DN	Leap second reference day number
Δt_{LSF}	Current of future leap second count

Table E.3.: GPS UTC Model.

Table E.4.: Navigation message (ephemeris). Table courtesy of [33].

Field (IE)	Description
Satellite ID	This is the satellite ID that is in the range of 0 to 63. PRN=SatelliteID + 1
Satellite status	This is an indicator of whether this is a new or existing satellite and whether the navigation model is new or the same.
C/A or P on L2	Code(s) on L2 channel
URA Index	User range accuracy
SV Health	Satellite health
IODC	Issue of data, clock
L2 P Data flag	
SF 1 Reserved	
T_{GD}	Estimated group delay differential
t_{oc}	Apparent clock correction
a_{f2}	Apparent clock correction
a_{f1}	Apparent clock correction
a_{f0}	Apparent clock correction
C_{rs}	Amplitude of the sine harmonic correction term to the orbit radius (meters)
Δn	Mean motion difference from computed value (semicircles/second)
M_0	Mean anomaly at reference time (semicircles)
C_{uc}	Amplitude of the cosine harmonic correction term to the argument of latitude (radians)
e	Eccentricity
C_{us}	Amplitude of the sine harmonic correction term to the argument of latitude (radians)
$A^{1/2}$	Square root of semi-major axis (meters)
t_{oe}	Reference time ephemeris
Fit Interval Flag	
AODO	Age of data offset
C_{ic}	Amplitude of the cosine harmonic correction term to the angle of inclination (radians)
Ω_0	Longitude of ascending node of orbit plane at weekly epoch (semicircles)
C_{is}	Amplitude of the cosine harmonic correction term to the angle of inclination (radians)
i_0	Inclination angle at reference time (semicircles)
C_{rc}	Amplitude of the cosine harmonic correction term to the orbit radius (meters)
ω	Argument of perigee (semicircles)
OMEGA $\dot{\omega}$	Rate of right ascension (semicircles/second)
Idot	Rate of inclination angle (semicircles/second)

F. GPS distance and position estimation

In this appendix section the focus is set on distance and position estimation inside of the GPS receiver. GPS system, as discussed earlier, takes advantage of the TOA ranging concept to determine user's position. It is measured how long it takes for a signal to arrive from a known location to the current unknown position on Earth. In figure F.1, an example concept can be seen, where $\vec{u} = (x_u, y_u, z_u)$ represents the

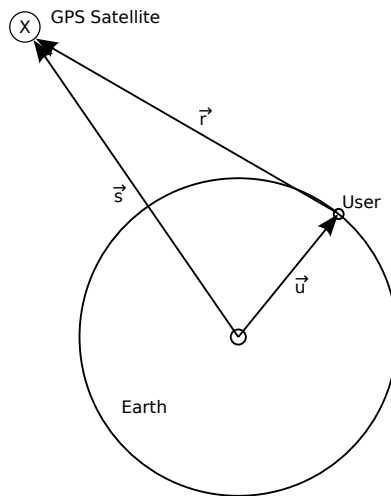


Figure F.1.: Basic distance estimation principle for one satellite. Image courtesy of [21].

unknown GPS user position vector with respect to Earth-Centered, Earth-Fixed¹⁵ (ECEF) coordinate system, \vec{r} is the distance vector from the satellite to the user and $\vec{s} = (x_s, y_s, z_s)$ represents the GPS satellite position with respect to ECEF at a time-point t_1 . t_1 is the time-point when the time stamp was generated on the GPS satellite. Vector \vec{s} is computed from ephemeris data broadcasted by the satellite. The distance vector \vec{r} , which is the distance between the satellite and the GPS receiver, can be computed using equation (F.1) and its magnitude is given in equation (F.2).

$$\vec{r} = \vec{s} - \vec{u} \quad (\text{F.1})$$

$$r = \|\vec{s} - \vec{u}\| \quad (\text{F.2})$$

The geometric distance of r is computed by measuring the signal propagation time, this is illustrated in figure F.2. The PRN code generated on the GPS satellite at time t_1 arrives at the time t_2 . The difference between these two time stamps, Δt ,

¹⁵ECEF is a Cartesian coordinate system where the point $(0,0,0)$ is defined as the center of mass of the Earth [13].

represents the propagation time. By multiplying the propagation time, Δt , with the speed of light, c , the geometric distance r is computed, as given in equation (F.3).

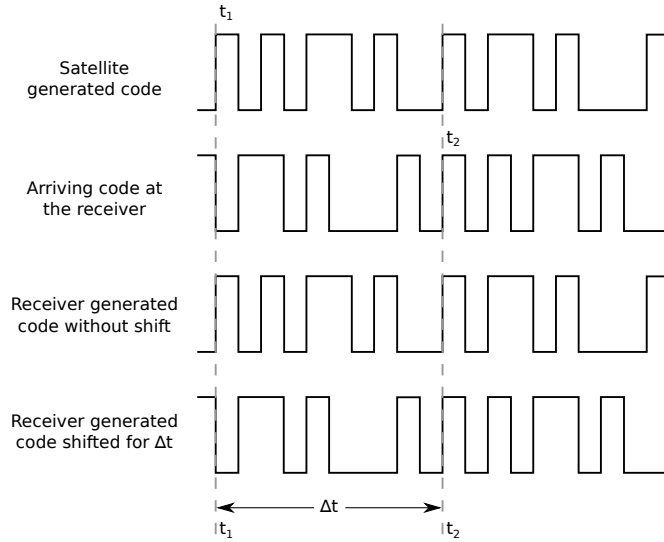


Figure F.2.: Estimating the distance by phase shift $\Delta t = t_2 - t_1 = \tau$. Image courtesy of [21].

$$r = c\Delta t \quad (\text{F.3})$$

Since the clocks are not synchronized, clock error offsets have to be added to the geometric distance r . This new distance is called *pseudorange*¹⁶, ρ , because the range is determined using the difference of two nonsynchronized clocks that generate PRN codes (one on the GPS satellite and the other one on the receiver). Pseudorange is calculated as given in equation (F.4), where t_u is the advance of the receiver clock with respect to the system time¹⁷ and δt is the offset of the satellite clock from the system time [21].

$$\rho = r + c(t_u - \delta t) \quad (\text{F.4})$$

Equation (F.2) can be rewritten as (F.5) with respect to equation (F.4).

$$\rho - c(t_u - \delta t) = \|s - u\| \quad (\text{F.5})$$

Offset of the satellite clock from the system time, δt , is updated from Earth and it is inside the GPS transmitted data. For that reason, it can be removed for sake of simplicity, i.e. it is not an unknown term anymore, then the equation (F.5) can be rewritten as (F.6).

$$\rho - ct_u = \|s - u\| \quad (\text{F.6})$$

¹⁶pseudo - Not genuine; sham; not perfect.

¹⁷ t_u or system time is the exact time on Earth and it is the most precise time known!

F. GPS DISTANCE AND POSITION ESTIMATION

In order to estimate user's (GPS receiver) position, advance of the receiver clock with respect to the system time, t_u , has to be found, in other words equation (F.7) has to be solved, where i is the index of visible satellites at the moment of signal reception [21].

$$\rho_i = \|s_i - u\| + ct_u \quad (\text{F.7})$$

The estimated position of the user, $\vec{u} = (x_u, y_u, z_u)$, is a three dimensional vector and as stated above the clock offset, t_u , is unknown as well. This four dimensional space requires to have at least four pseudorange equations (F.7) to find all the four unknown terms. As a consequence of this fact, at least four satellites have to be visible at the same time to estimate user's position. Equation given in (F.7) take the form in (F.8) because the coordinate system is Cartesian and ρ_i is nothing else but Euclidean distance where $i = 1, 2, \dots, n$ such that $n \geq 4$, and $\vec{s}_i = (x_i, y_i, z_i)$ is the satellite position estimated from the ephemeris data.

$$\rho_i = \sqrt{(x_i - x_u)^2 + (y_i - y_u)^2 + (z_i - z_u)^2} + ct_u \quad (\text{F.8})$$

Undoubtedly, the given equation in (F.8) is a nonlinear equation¹⁸. It is not straightforward to find explicit solutions of nonlinear equations. It is more difficult to find the solution compared to linear equations. There are different techniques to solve sets of nonlinear equations [21, Chapter 7] but in this work the linearisation method¹⁹ shall be presented to find the unknown terms (x_u, y_u, z_u, t_u) . In other words, out of an approximate position and clock offset, the true clock offset will be calculated. Out of this calculation will follow the true user position.

Let the equation (F.8) for pseudoranges, be rewritten as a function f of four unknown terms x_u, y_u, z_u and t_u , as given in (F.9) [21, Chapter 2].

$$\rho_i = \sqrt{(x_i - x_u)^2 + (y_i - y_u)^2 + (z_i - z_u)^2} + ct_u = f(x_u, y_u, z_u, t_u) \quad (\text{F.9})$$

Suppose that the approximation of the position and the clock offset are known, denoted as $\hat{x}_u, \hat{y}_u, \hat{z}_u$ and \hat{t}_u , then equation (F.9) can be rewritten as an approximate pseudorange (F.10).

$$\hat{\rho}_i = \sqrt{(x_i - \hat{x}_u)^2 + (y_i - \hat{y}_u)^2 + (z_i - \hat{z}_u)^2} + c\hat{t}_u = f(\hat{x}_u, \hat{y}_u, \hat{z}_u, \hat{t}_u) \quad (\text{F.10})$$

In other words, the unknown true position terms x_u, y_u, z_u and the clock offset term t_u , of the GPS receiver, are expressed by the approximate values and an incremental

¹⁸Nonlinear equations, also known as polynomial equations, are equations that can not satisfy both of the linearity properties: additivity $f(x + y) = f(x) + f(y)$ and homogeneity $f(\alpha x) = \alpha f(x)$, $\alpha \in \mathbb{R}$ [63].

¹⁹Linear approximation is a technique where a function is approximated using a linear function.

component as shown in equation (F.11) [21].

$$\begin{aligned}x_u &= \hat{x}_u + \Delta x_u \\y_u &= \hat{y}_u + \Delta y_u \\z_u &= \hat{z}_u + \Delta z_u \\t_u &= \hat{t}_u + \Delta t_u\end{aligned}\tag{F.11}$$

By inserting the terms from (F.11) into equation (F.9), a new equation is derived as in (F.12).

$$f(x_u, y_u, z_u, t_u) = f(\hat{x}_u + \Delta x_u, \hat{y}_u + \Delta y_u, \hat{z}_u + \Delta z, \hat{t}_u + \Delta t_u)\tag{F.12}$$

In the next step the pseudorange function shall be approximated using Taylor series (linearisation of the nonlinear equation)²⁰. Taylor series for a function $f(x)$ is given in equation (F.13), where as a approaches x the estimation error shall be smaller and smaller, i.e. $f(x) = f(a)$ when $x = a$. The approximation error depends on Taylor polynomial degree (the amount of terms or taken derivatives of the function) and how far away the point a is from x [77, Chapter 11.9]. The basic idea of the principle can be seen in figure F.3.

$$f(x) = \sum_{n=0}^{\infty} \frac{f^{(n)}(a)}{n!} (x - a)^n = f(a) + \frac{f'(a)}{1!} (x - a) + \frac{f''(a)}{2!} (x - a)^2 + \dots\tag{F.13}$$

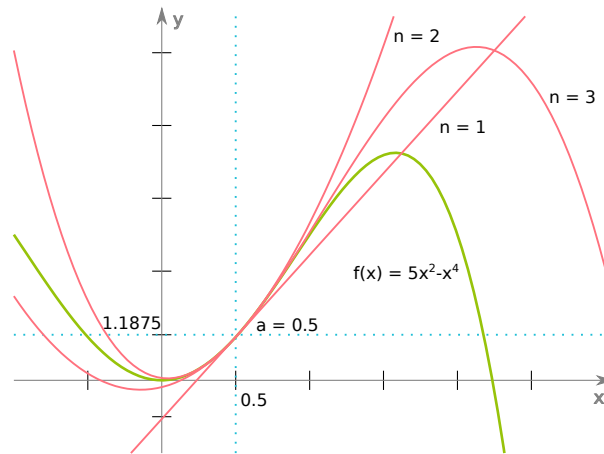


Figure F.3.: Taylor series approximation for a point $a = 0.5$ where n is the Taylor polynomial degree.

Due to the four unknown terms, Taylor series for multi-variables have to be used. The general formula is given in equation (F.14), where vector $\mathbf{x} \in \mathbb{R}^n$ denotes n

²⁰Taylor series “is a representation of a function as an infinite sum of terms that are calculated from the values of the function’s derivatives at a single point” [77, Chapter 11].

F. GPS DISTANCE AND POSITION ESTIMATION

variables, ∇ (nabla) is the Del²¹ operator given in (F.15) and \mathbf{a} is the linearisation point of interest [38].

$$f(\mathbf{x}) \approx f(\mathbf{a}) + \nabla f|_{\mathbf{x}=\mathbf{a}} \cdot (\mathbf{x} - \mathbf{a}) \quad (\text{F.14})$$

$$\nabla^T = \left[\frac{\partial}{\partial x_1} \cdots \frac{\partial}{\partial x_n} \right] \quad (\text{F.15})$$

One can note that in equation (F.14) the Taylor series polynomial is of the first degree. This is because of one reason, it linearizes the approximation of the function $f(\mathbf{x})$ at point \mathbf{a} and as a consequence it removes the nonlinearities [21] [77, Chapter 11.10], as seen in figure F.3, for $n = 1$ the resulting function is linear. In the previously described step, one would calculate a hyperplane tangent to a point a in a n -Dimensional space. By inserting equation (F.12) in equation (F.14), it yields equation (F.16) where $\mathbf{x} = (x_u, y_u, z_u, t_u)$ and $\mathbf{a} = (\hat{x}_u, \hat{y}_u, \hat{z}_u, \hat{t}_u)$.

$$\begin{aligned} f(\hat{x}_u + \Delta x_u, \hat{y}_u + \Delta y_u, \hat{z}_u + \Delta z, \hat{t}_u + \Delta t_u) &\approx f(\hat{x}_u, \hat{y}_u, \hat{z}_u, \hat{t}_u) \\ &+ \frac{\partial f(\hat{x}_u, \hat{y}_u, \hat{z}_u, \hat{t}_u)}{\partial \hat{x}_u} \Delta x_u + \frac{\partial f(\hat{x}_u, \hat{y}_u, \hat{z}_u, \hat{t}_u)}{\partial \hat{y}_u} \Delta y_u \\ &+ \frac{\partial f(\hat{x}_u, \hat{y}_u, \hat{z}_u, \hat{t}_u)}{\partial \hat{z}_u} \Delta z_u + \frac{\partial f(\hat{x}_u, \hat{y}_u, \hat{z}_u, \hat{t}_u)}{\partial \hat{t}_u} \Delta t_u \end{aligned} \quad (\text{F.16})$$

The terms from equation (F.16) are solved individually in equations (F.17) where $\sqrt{(x_i - \hat{x}_u)^2 + (y_i - \hat{y}_u)^2 + (z_i - \hat{z}_u)^2}$ has been substituted with \hat{r}_i .

$$\begin{aligned} \frac{\partial f(\hat{x}_u, \hat{y}_u, \hat{z}_u, \hat{t}_u)}{\partial \hat{x}_u} &= \frac{1}{2} \frac{-2(x_i - \hat{x}_u)}{\sqrt{(x_i - \hat{x}_u)^2 + (y_i - \hat{y}_u)^2 + (z_i - \hat{z}_u)^2}} = -\frac{x_i - \hat{x}_u}{\hat{r}_i} \\ \frac{\partial f(\hat{x}_u, \hat{y}_u, \hat{z}_u, \hat{t}_u)}{\partial \hat{y}_u} &= \frac{1}{2} \frac{-2(y_i - \hat{y}_u)}{\sqrt{(x_i - \hat{x}_u)^2 + (y_i - \hat{y}_u)^2 + (z_i - \hat{z}_u)^2}} = -\frac{y_i - \hat{y}_u}{\hat{r}_i} \\ \frac{\partial f(\hat{x}_u, \hat{y}_u, \hat{z}_u, \hat{t}_u)}{\partial \hat{z}_u} &= \frac{1}{2} \frac{-2(z_i - \hat{z}_u)}{\sqrt{(x_i - \hat{x}_u)^2 + (y_i - \hat{y}_u)^2 + (z_i - \hat{z}_u)^2}} = -\frac{z_i - \hat{z}_u}{\hat{r}_i} \\ \frac{\partial f(\hat{x}_u, \hat{y}_u, \hat{z}_u, \hat{t}_u)}{\partial \hat{t}_u} &= c \end{aligned} \quad (\text{F.17})$$

This is followed by substituting the equation terms from (F.17), (F.9) and (F.10) into (F.16), the resulting equation is given in (F.18).

$$\rho_i = \hat{\rho}_i - \frac{x_i - \hat{x}_u}{\hat{r}_i} \Delta x_u - \frac{y_i - \hat{y}_u}{\hat{r}_i} \Delta y_u - \frac{z_i - \hat{z}_u}{\hat{r}_i} \Delta z_u + c \Delta t_u \quad (\text{F.18})$$

At this step, by solving equation (F.16), the linearisation of the nonlinear equations is completed.

$$\hat{\rho}_i - \rho_i = \frac{x_i - \hat{x}_u}{\hat{r}_i} \Delta x_u + \frac{y_i - \hat{y}_u}{\hat{r}_i} \Delta y_u + \frac{z_i - \hat{z}_u}{\hat{r}_i} \Delta z_u - c \Delta t_u \quad (\text{F.19})$$

²¹Del, ∇ , is the vector differential operator.

$$\Delta\rho = \hat{\rho}_i - \rho_i \quad (\text{F.20})$$

$$\alpha_{xi} = \frac{x_i - \hat{x}_u}{\hat{r}_i} \quad \alpha_{yi} = \frac{y_i - \hat{y}_u}{\hat{r}_i} \quad \alpha_{zi} = \frac{z_i - \hat{z}_u}{\hat{r}_i} \quad (\text{F.21})$$

By rearranging the equation (F.18) one derives equation (F.19). And then by substituting the terms in (F.20) and (F.21) into (F.19), the equation resembles the equation in (F.22).

$$\Delta\rho_i = \alpha_{xi}\Delta x_u + \alpha_{yi}\Delta y_u + \alpha_{zi}\Delta z_u - c\Delta t_u \quad (\text{F.22})$$

There are four unknowns, Δx_u , Δy_u , Δz_u and Δt_u , in equation (F.22). By solving this set of linear equations, which shall result in finding of Δx_u , Δy_u , Δz_u and Δt_u , the GPS receiver position is computed. The GPS receiver position (x_u, y_u, z_u) and clock offset t_u are obtained by substituting them into equations in (F.11). Equation (F.22) can be rewritten for four satellites in the matrix form as in (F.23).

$$\Delta\rho = \alpha\Delta\mathbf{x} \quad (\text{F.23})$$

$$\Delta\rho = \begin{bmatrix} \Delta\rho_1 \\ \Delta\rho_2 \\ \Delta\rho_3 \\ \Delta\rho_4 \end{bmatrix} \quad \alpha = \begin{bmatrix} \alpha_{x1} & \alpha_{y1} & \alpha_{z1} & 1 \\ \alpha_{x2} & \alpha_{y2} & \alpha_{z2} & 1 \\ \alpha_{x3} & \alpha_{y3} & \alpha_{z3} & 1 \\ \alpha_{x4} & \alpha_{y4} & \alpha_{z4} & 1 \end{bmatrix} \quad \Delta\mathbf{x} = \begin{bmatrix} \Delta x_u \\ \Delta y_u \\ \Delta z_u \\ -\Delta ct_u \end{bmatrix} \quad (\text{F.24})$$

Finally, by multiplying both left sides²² of the equation (F.23) with the inverse term of α , it yields the result of the unknown terms, as given in equation (F.26).

$$\alpha^{-1}\Delta\rho = \alpha^{-1}\alpha\Delta\mathbf{x} \quad (\text{F.25})$$

$$\Delta\mathbf{x} = \alpha^{-1}\Delta\rho \quad (\text{F.26})$$

Linearisation is repeated in a loop, where in the next round the approximate positions are set to the just derived position values, that is, $\hat{x}_u = x_u$, $\hat{y}_u = y_u$, $\hat{z}_u = z_u$ and $\hat{t}_u = t_u$. This process is repeated until the approximated positions converge to their final values. It is not necessarily required that the initial positions are very accurate and the results are usually obtained by 4-5 iterations [46]. Risks exist that the solution may be still be corrupted but there are different error avoiding mechanisms to solve these problems, like minimizing the error contribution using more than four satellite measurements [46] [21, Chapter 7].

²²Matrix multiplication is not commutative, $\mathbf{AB} \neq \mathbf{BA}$.

List of Figures

- 2.1. Basic GSM network block diagram. Image courtesy of [55] and [82]. 6
- 2.2. Frequency ranges of uplink and downlink channels in the GSM900 band. Each box represents a frequency band (channel). Image courtesy of [55] and [82]. 9
- 2.3. Each frequency channel (ARFCN) is split into 8 time slots. With this approach more GSM users can be served at the “same” time. Image courtesy of [34]. 10
- 2.4. Hierarchy of the GSM frames. Image courtesy of [34]. 11
- 2.5. Initializing an SDCCH channel. Image courtesy of [32]. 12
- 2.6. Cell-ID position estimation technique. 14
- 2.7. Basic idea of the RSS estimation technique. One rectangle location is represented by two RSS measurements for two BTS, blue indicates BTS1 and red indicates BTS2. 14
- 2.8. Basic idea of the E-OTD positioning technique. Current time information is transmitted from 3 different BTS’s at the same time. Then the MS observes the difference of time when the information arrive and using trilateration technique calculates the relative position of the MS. 16
- 2.9. Basic idea of the Angle-of-Arrival positioning technique. The angle of the reception signal on the BTS antenna is measured. By knowing at least two angles on two BTS’s, it is possible to interpolate the intersection point where the MS is located. 17
- 2.10. Wireless Access Point tagging. The MS could be located anywhere where all three access points are visible, this area has a wavy background and is between access points 1, 2 and 4. 17
- 3.1. GPS Simple working principle, a) example in 3D space with spheres b) example in 2D space with circles. 19
- 3.2. One frame of 1500 bits on L1 frequency carrier. Image courtesy of [33]. 21
- 3.3. Subframes always start with telemetry and handover words, the rest are parameters for removing errors and for estimating satellite’s position. 21

3.4.	BPSK Modulation - First depicted signal is the carrier wave, and it is multiplied (mixed) with the second signal, which are the data to be transmitted. The resulting signal at the output of the satellite antenna is the third one.	22
3.5.	Modulation of the GPS signal L1. Image courtesy of [33].	24
3.6.	Two carrier waves with the same frequency but different phase shift.	25
3.7.	Demodulation of the L1 GPS signal.	25
3.8.	Comparison between the original C/A code generated on the GPS satellite with two synthesized PRN codes with a different phase shift on the receiver. Image courtesy of [21].	26
3.9.	Segment of the frequency/code delay search space for a single GPS satellite. Image courtesy of [17].	28
3.10.	Basic AGPS principle.	29
4.1.	RRLP Request protocol. Assistance data can be sent before the request is made. If the assistance data are sent, their reception acknowledgement is sent as a response from the MS. Image courtesy of [33] and [2].	32
4.2.	An example of constructing an RRLP request. Image courtesy of [33].	37
4.3.	Reference location is a 14 octet stream built according to the given rule as specified in the standard [4] under section 7.3.6. Image courtesy of [4].	41
4.4.	World Geodetic System 1984. Image courtesy of [33].	42
4.5.	Requested AGPS assistance data to be delivered. Image courtesy of [3].	44
5.1.	nanoBTS with its antennas.	50
5.2.	Cable configuration diagram.	51
5.3.	Flowchart for the RRLP assistance data generator.	54
6.1.	Test rooms as well as the results delivered by the smart phones. Image courtesy of Google Maps.	59
6.2.	Test room 2 with the positions of the smart phones.	60
C.1.	Effects of the low frequency term on the demodulated output C/A wave on the GPS receiver (the explanations and figures are from top to bottom). If the synthesized frequency is correct, $f_1 = f_2$, the low frequency term becomes a DC term and does not modify the output $d_{C/A}$ wave (first figure). If the frequency matches but the phase not, in this case the phase is shifted for π , then $d_{C/A}$ is inverted (second figure). If the phase shifts with time, then the amplitude and phase of $d_{C/A}$ will vary as well (third figure). Image courtesy of [17].	88
D.1.	Cross-correlation on three different signals. Image courtesy of [21].	89

LIST OF FIGURES

F.1. Basic distance estimation principle for one satellite. Image courtesy of [21].	93
F.2. Estimating the distance by phase shift $\Delta t = t_2 - t_1 = \tau$. Image courtesy of [21].	94
F.3. Taylor series approximation for a point $a = 0.5$ where n is the Taylor polynomial degree.	96

List of Tables

2.1.	GSM operating frequencies in Germany.	9
2.2.	Traffic channels on the air interface. Table courtesy of [34].	11
2.3.	Control channels on the air interface. Table courtesy of [34].	12
2.4.	Overview of the localization techniques.	18
4.1.	Requested AGPS assistance data bit meaning. Table courtesy of [3]. . .	46
6.1.	Smart phone models used for testing in the thesis.	58
6.2.	Smart phone RRLP test results from Test room 2.	62
A.1.	Example uncertainties (latitude and longitude) for various integer values of K	85
A.2.	Example uncertainties (altitude) for various integer values of K	85
B.1.	Indicator LED status on the nanoBTS. Table courtesy of [41].	86
E.1.	Almanac message. Table courtesy of [33].	91
E.2.	GPS Ionosphere Model.	91
E.3.	GPS UTC Model.	91
E.4.	Navigation message (ephemeris). Table courtesy of [33].	92